

### **TSK WALL STAT KIT - ( OPTIONAL )**

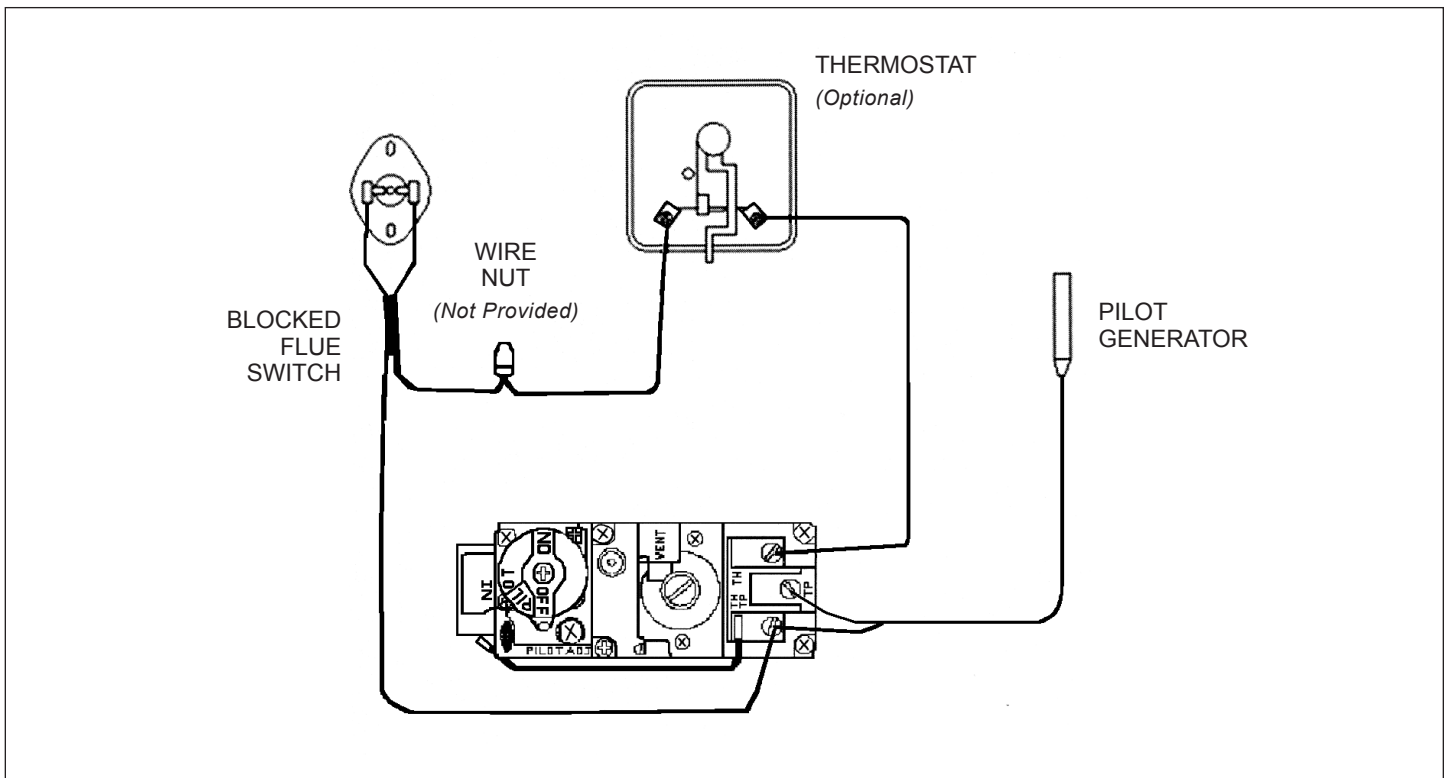
#### **( VC-C Dexen Valve Series ) | WALL THERMOSTAT INSTALLATION INSTRUCTIONS**

This kit must be installed by a qualified installer or service technician.

Your heater can be re-wired to operate with a millivolt wall thermostat by your qualified installer/service person. See wiring diagram below for correct wiring. *NOTE: Do not disconnect the wire from the blocked flue switch to the "TH" terminal on the gas valve.*

- STEP 1.** Turn temperature control knob to "OFF" or lowest setting.
- STEP 2.** Turn gas valve control knob to "OFF".
- STEP 3.** Disconnect wire leading from **Part #80180** (Bulb Control Switch) from valve.
- STEP 4.** Cut the remaining wire leading from **Part #80180** (Bulb Control Switch) to the blocked flue switch, leaving its end connected to the blocked flue switch and leaving enough length to reach the gas valve. Strip 1/2" of the insulation from the cut end of the wire.
- STEP 5.** Connect one leg of thermostat wire to the "TH/PP" terminal on the gas valve.
- STEP 6.** Connect second leg from the thermostat to the stripped wire coming from the blocked flue switch. Secure this connection inside the heater cabinet.
- STEP 7.** Secure both red wires from blocked flue switch inside heater cabinet. Make sure none of the wires have enough slack to lay against the heat exchanger or draft hood.
- STEP 8.** Remove lighting instructions **P/N 91245, 91246, 91247** from back of heater and replace with **P/N 91242, 91243, 91244** lighting instructions supplied in TSK Kit.
- STEP 9.** Follow lighting instructions to place heater in operation.

**Fig. L**



## VENTED CONSOLE - ( PARTS LIST )

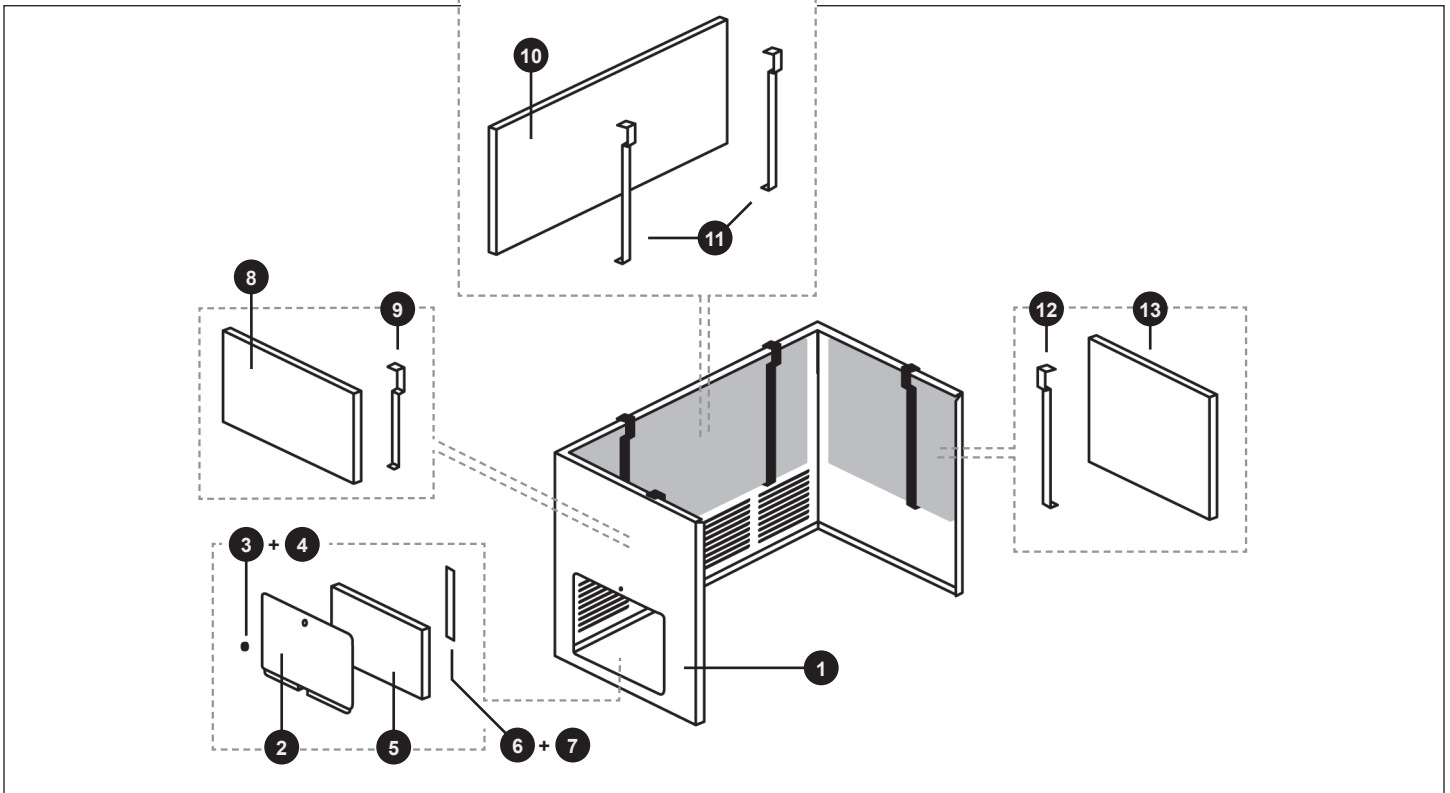
VC-C Closed Front Circulators & CHB3 Blower | *Specifications are subject to change without notice.*

### **ATTN: Contractors and Qualified Service Technicians**

We only sell parts through our wholesalers. For prompt parts service, contact the wholesaler from which you purchased your Cozy heater.

*NOTICE: When ordering any component in the control train assembly, specify either Dexen, Honeywell, or Robertshaw components.*

**Fig. M-1**



FOR NAT. MODELS:

**VC201C**

**VC351C**

**VC501C**

### **HOW TO PROPERLY ORDER PARTS:**

In addition to the part description and numbers, please be prepared to provide:

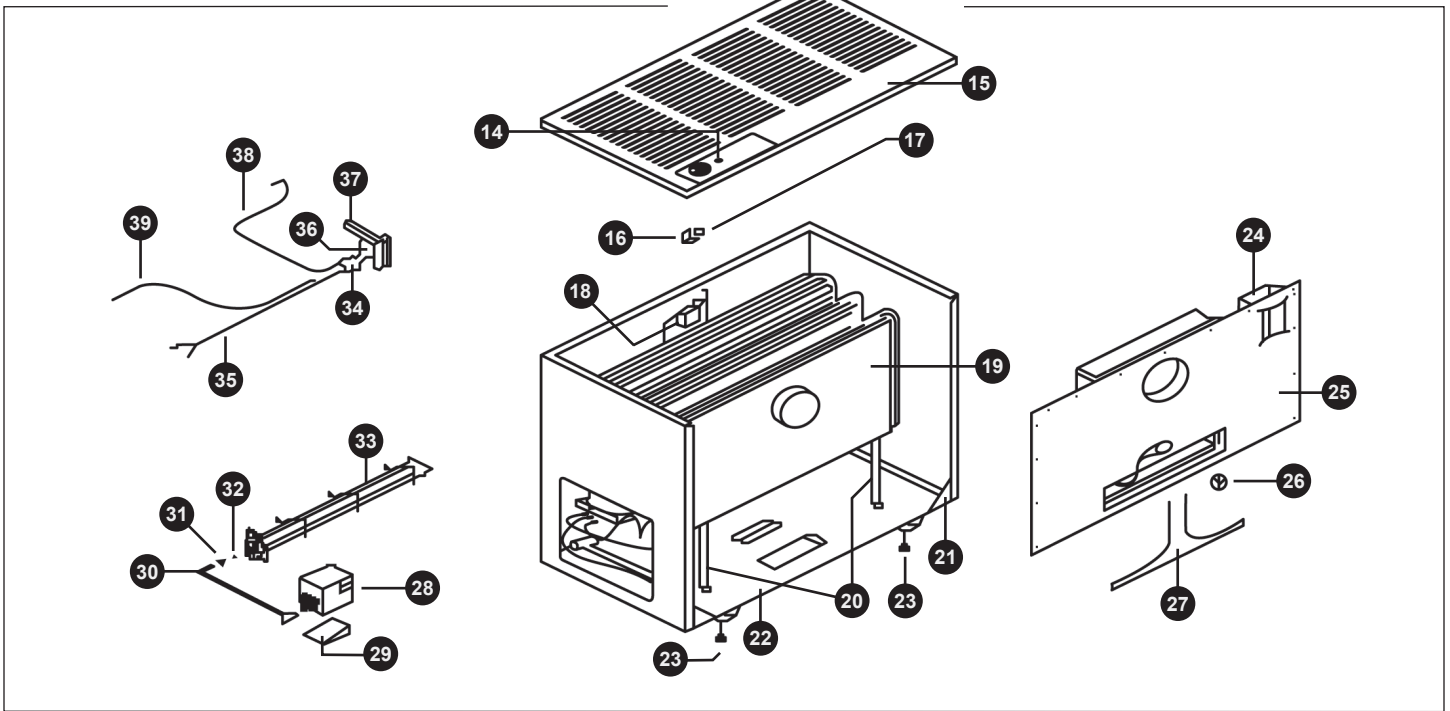
- Model Number
- Serial Number
- Type of Gas Used

*This information can be found on the rating plate that is attached to the heater.*

REF. #	PART DESCRIPTION	PART NO.	PART NO.	PART NO.
1	<b>HOUSING</b> , VC Service	1017474	1017475	1017476
2	<b>DOOR</b> , Small Service	1017477	1017477	1017478
3	<b>KNOB</b> , Phenolic Fluted-Rim	1017451	1017451	1017451
4	<b>U-NUT</b> , Clip-on No-Slip Pk25	1017452	1017452	1017452
5	<b>INSULATION</b> , Foil Faced, 8.5 x 6.5	1017286	1017286	1017287
6	<b>BRACKET</b> , Door	1017285	1017285	1017285
7	<b>SCREW</b> , 8 x 1/2 Pan, Teks Pt. (Qty: 2)	50605	50605	50605
8	<b>INSULATION</b> , Foil Faced	80281	80286	80289
9	<b>BRACKET</b>	1017227ASM	1017282ASM	1017282ASM
10	<b>INSULATION</b> , Foil Faced	80280	80297	80297
11	<b>BRACKET</b> (Qty: 2)	1017281ASM	1017283ASM	1017283ASM
12	<b>BRACKET</b>	1017227ASM	1017284ASM	1017284ASM
13	<b>INSULATION</b> , Foil Faced	80281	80285	80288

NOTE: Parts & schematic drawings on current models are shown at: [cozyheaters.com](http://cozyheaters.com)  
*Specifications subject to change without notice.*

Fig. M-2



FOR NAT. MODELS:

REF. #	PART DESCRIPTION	VC201C PART NO.	VC351C PART NO.	VC501C PART NO.
14	PIEZO IGNITOR	80016	80016	80016
15	CASING, Top Assembly	45052-10	45552-10	46402-10
16	GROMMET, Control Rod	80010	80010	80010
17	REMOTE MOUNTING BRACKET	45062	45062	45062
18	BULB CONTROL SWITCH (Cotherm)	80180	80180	80180
19	HEAT EXCHANGER, Closed Front	45200	45675	46500
20	REAR LEG, Heat Exchanger	N/A	45760	45760
21	GUSSET	*45195	*45195	*45195
22	CASING BASE, Assembly	45175	45640	46460
23	LEG LEVELLERS, 4 per heater	80009	80009	80009
24	DRAFT DIVERTER, Assembly	45300	45783	46558
25	CASING, Back Assembly	45150	45612	45612
26	SWITCH, Vent Safety Spill / VC	80102	80106	84166
27	WIRING HARNESS	80212	80213	80213
28	VALVE, 6003 Natural Gas Valve, Dexen	84085	84085	84085
29	VALVE, Support Bracket	45336	45336	45336
30	MANIFOLD	80133	80133	80135
31	ORIFICE NUT	80024	80024	80024
32	BURNER ORIFICE, Natural Gas	80025	80058	80119
33	BURNER, Steel	80123	80124	80125
34	PILOT ASSY. 0.140.514 Nat. w/ Electrode	80062	80062	80062
35	PILOT GENERATOR 23"	70098	70098	70098
36	LIGHTING HOLE COVER, Pilot	45332	45332	45332
37	BURNER MOUNTING PLATE, Assembly	45817	45817	45817
38	PILOT TUBING Assy. w/Fittings 24"	70012	70012	70012
39	PIEZO WIRE	80128	80128	80128

ADDITIONAL PARTS:

PART DESCRIPTION	PART NO.
COZY LOGO Emblem	80006
CLIPS, for Cozy Emblem	80007
LIGHTING INSTRUCTIONS	47740
<b>HEAT EXCHANGER SPACER:</b>	
VC201C, Spacer	N/A
VC351C, Spacer	45845
VC501C, Spacer	45845

\*Two (2) are Required

Specifications subject to change without notice.

FOR MODELS THAT HAVE BEEN CONVERTED TO LP:

	VC202C	VC352C	VC502C
28	VALVE, 6003 L.P. Gas Valve, Dexen	84086	84086
34	PILOT ASSY. 0.140.504 L.P. w/ Electrode	80063	80063
32	BURNER ORIFICE, L.P. Gas	80027	80120