

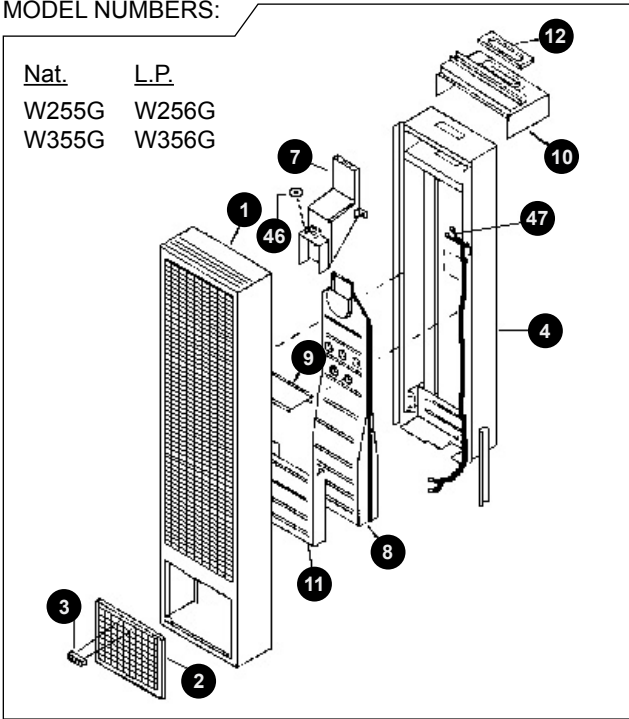
PARTS DRAWING: GRAVITY WALL FURNACE - (May 2016)

Specifications subject to change without notice.

SINGLE WALL FURNACE

MODEL NUMBERS:

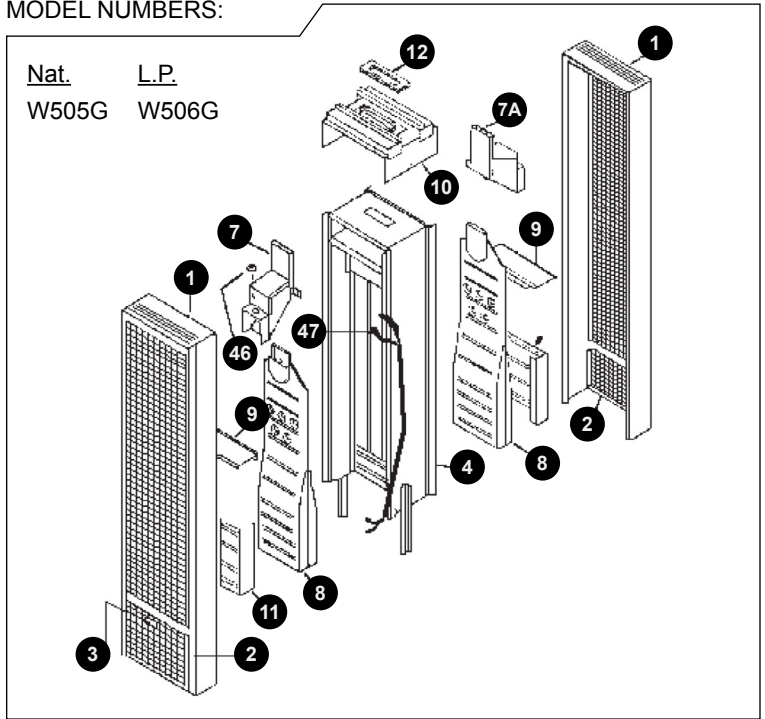
Nat.	L.P.
W255G	W256G
W355G	W356G



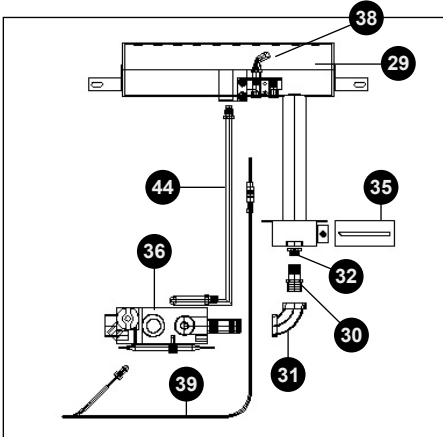
DUAL WALL FURNACE

MODEL NUMBERS:

Nat.	L.P.
W505G	W506G

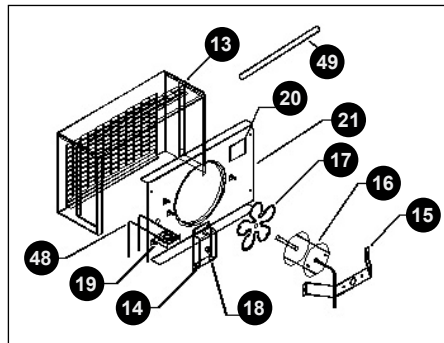


BURNER ASSEMBLY / SINGLE WALL FURNACE

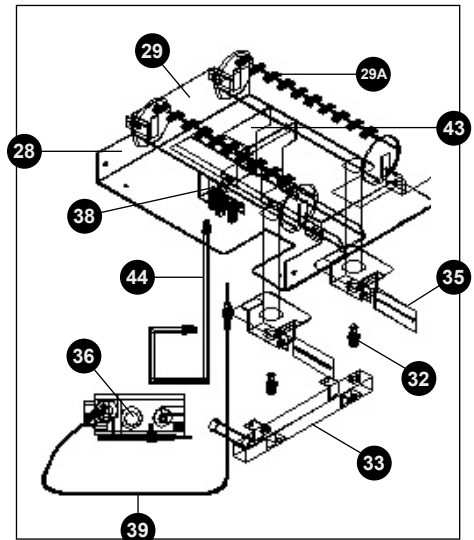


WFF81 - C FAN KIT

Used on Single & Double Wall Models

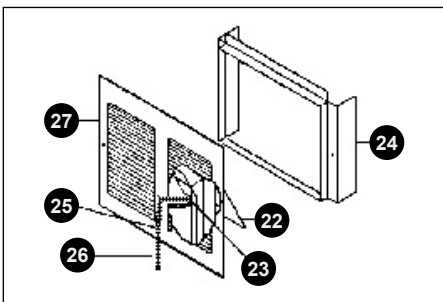


BURNER ASSEMBLY / DUAL WALL FURNACE

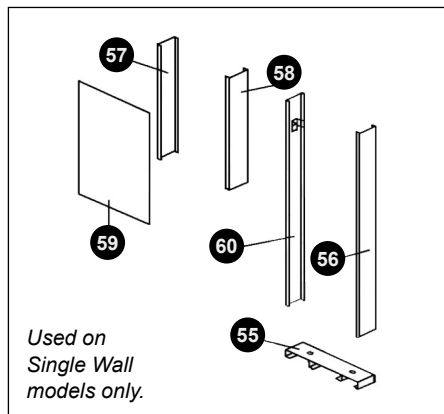


REAR REGISTER KIT

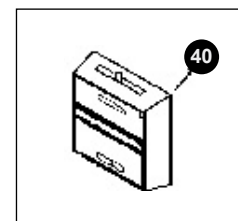
Used on Single Wall Models Only



FSKA - FREE STANDING KIT



THERMOSTAT



NOTE:
When ordering any component in the Burner Assembly, specify either Honeywell or Robertshaw components.

PARTS LIST: GRAVITY WALL FURNACE - (May 2016)

HOW TO PROPERLY ORDER PARTS: *In addition to part description and part number, please give model number, serial number, and type of gas used. This information can be found on the rating plate that is attached to heater. Specifications subject to change without notice.*

FRONT PANEL, DOOR & BODY ASSEMBLY				
FOR MODELS:		W25G	W35G	W50G
PART DESCRIPTION	REF. NO.	PART NO.	PART NO.	PART NO.
Front Panel Assembly	1	# 40025-K	# 40025-K	##40025-K
Lower Door	2	40032-80	40032-80	*40032-80
Handle Assembly	3	40033	40033	*40033
Body Assembly	4	39805	39805	40103
Draft Diverter Assembly	7	40042	40098	40141
Draft Diverter Assembly	7A	-	-	40140
Heat Exchanger	8	40266	40267	*40266
Upper Shield	9	40068	40068	*40068
Header Assembly	10	40055-K	40055-K	40150-K
Lower Front Shield	11	40065	40065	*40065
Gasket Flue Pipe	12	78050	78050	78050
Blocked Flue Sw. 350 Deg.	46	84166	84166	84166
Wiring Harness / Wall	47	84133	84133	84133

WFF81-C FAN KIT		
(FITS ALL MODELS)		
PART DESCRIPTION	REF. NO.	PART NO.
Fan Cabinet	13	40304
Junction Box	14	40315
Motor Mounting Brk.	15	40313
Motor	16	85110
Fan Blade	17	85115
Heyco Strain Relief	18	84155
Fan Switch	19	84170
Wiring Diagram (label)	20	91147
Fan Housing	21	40311
Fan Switch Wire	48	*84171
Wall Mtg. Bracket	49	40316
Installation Manual	N/A	84511

BURNER ASSY. PARTS FOR MODELS:		W255G & W256G	W355G & W356G	W505G & W506G
PART DESCRIPTION	REF. NO.	PART NO.	PART NO.	PART NO.
Burner, Support Assy.	28	-	-	40212
Burner, Steel	29	84070	84070	84070
Burner, Steel <i>with Carry Over Tapping</i>	29A	-	-	84071
Burner Restrictor Plate <i>for W506F, G & G1</i>	-	-	-	40220
Orifice Coupling	30	84631	84631	-
Elbow 3/8 90 Degree	31	84124	84124	-
Orifices	32	<i>SEE ORIFICES ON PAGE 23</i>		
Manifold	33	-	-	84072
Pipe Nipple	-	84123	84123	-
Pilot Tubing w/ Fittings	44	74452	74452	74452
Air Shutter	35	84078	84078	*84078
Valves	36	<i>SEE GAS VALVES ON PAGE 23</i>		
Pilots	38	<i>SEE PILOTS ON PAGE 23</i>		
Pilot Generator 23"	39	70098	70098	70098
Thermostat	40	74592	74592	74592
Wire, Thermostat	41	49925	49925	49925
Carry Over Shield	43	-	-	40209
Installation Instructions	-	84502	84502	84502
Lighting Instr., Wall	-	91254	91254	91254

40542-A REAR REGISTER KIT		
(W25 / 35 MODELS ONLY)		
PART DESCRIPTION	REF. NO.	PART NO.
Damper	22	40375
Damper Spring	23	40377
Frame Assembly	24	40365
Register Chain	25	40379
Bell, Pull	26	85003
Register Assembly	27	40355
Installation Manual	-	84504

FSK-A FREE STANDING KIT		
(W25 / 35 MODELS ONLY)		
PART DESCRIPTION	REF. NO.	PART NO.
Floor Plate Assembly	55	40405
Right Side Assembly	56	40410
Upper Left Side	57	40415
Upper Right Side	58	40416
Upper Front	59	40418
Left Side Assembly	60	40422

ATTN: CONTRACTORS AND SERVICE TECHNICIANS; We only sell parts through our wholesalers. For prompt parts service, contact the wholesaler from which you purchased your Cozy heater.
NOTE: Parts & schematic drawings on current models are shown at: www.cozyheaters.com

*Two (2) are Required
 #40025 - Includes Lower Door (40032)
 and Handle Assembly (40033)

PARTS LIST: GRAVITY WALL FURNACE - (May 2016)

HOW TO PROPERLY ORDER PARTS: *In addition to part description and part number, please give model number, serial number, and type of gas used. This information can be found on the rating plate that is attached to heater. Specifications subject to change without notice.*

ORIFICES (Reference #32 from Parts List on page 22)

FOR MODELS:			W25G	W35G	W50G	
PART DESCRIPTION	ORIFICE SIZE	REF. NO.	MODEL NO.	MODEL NO.	MODEL NO.	PART NO.
Nat. Orifice for 0 - 2,000 ft	43	32	W255G	-	-	84639
Nat. Orifice for 2 - 4,000 ft	44	32	W255G-3	-	-	95102
Nat. Orifice for 4 - 6,000 ft	45	32	W255G-5	-	-	80025
Nat. Orifice for 6 - 8,000 ft	47	32	W255G-7	-	-	80120
L.P. Orifice for 0 - 2,000 ft	1.45 mm	32	W256G	-	-	84634
Nat. Orifice for 0 - 2,000 ft	36	32	-	W355G	-	84642
Nat. Orifice for 2 - 4,000 ft	38	32	-	W355G-3	-	95009
Nat. Orifice for 4 - 6,000 ft	40	32	-	W355G-5	-	95010
Nat. Orifice for 6 - 8,000 ft	41	32	-	W355G-7	-	80167
L.P. Orifice for 0 - 2,000 ft	52	32	-	W356G	-	84644
Nat. Orifice for 0 - 2,000 ft	43	32	-	-	W505G	*95274
Nat. Orifice for 2 - 4,000 ft	44	32	-	-	W505G-3	*72141
Nat. Orifice for 4 - 6,000 ft	45	32	-	-	W505G-5	*78163
Nat. Orifice for 6 - 8,000 ft	47	32	-	-	W505G-7	*95272
L.P. Orifice for 0 - 2,000 ft	1.45 mm	32	-	-	W506G	*84648

GAS VALVES (Reference #36 from Parts List on page 22)

FOR MODELS:			W25G	W35G	W50G	
PART DESCRIPTION		REF. NO.	MODEL NO.	MODEL NO.	MODEL NO.	PART NO.
6003 Natural Gas Dexen Valve		36	W255G	W355G	W505G	84085
6003 L.P. Gas Dexen Valve		36	W256G	W356G	W506G	84086

PILOTS (Reference #38 from Parts List on page 22)

FOR MODELS:			W25G	W35G	W50G	
PART DESCRIPTION		REF. NO.	MODEL NO.	MODEL NO.	MODEL NO.	PART NO.
Q350A1545 Nat.		38	W255G	W355G	W505G	84128
Q350A1867 L.P.		38	W256G	W356G	W506G	84127

*Two (2) are Required
 #40025 - Includes Lower Door (40032)
 and Handle Assembly (40033)

ATTN: CONTRACTORS AND SERVICE TECHNICIANS; We only sell parts through our wholesalers.
 For prompt parts service, contact the wholesaler from which you purchased your Cozy heater.
 NOTE: Parts & schematic drawings on current models are shown at: www.cozyheaters.com