

MODEL NUMBERS

MILLIVOLT

NAT. GAS
CDV155C

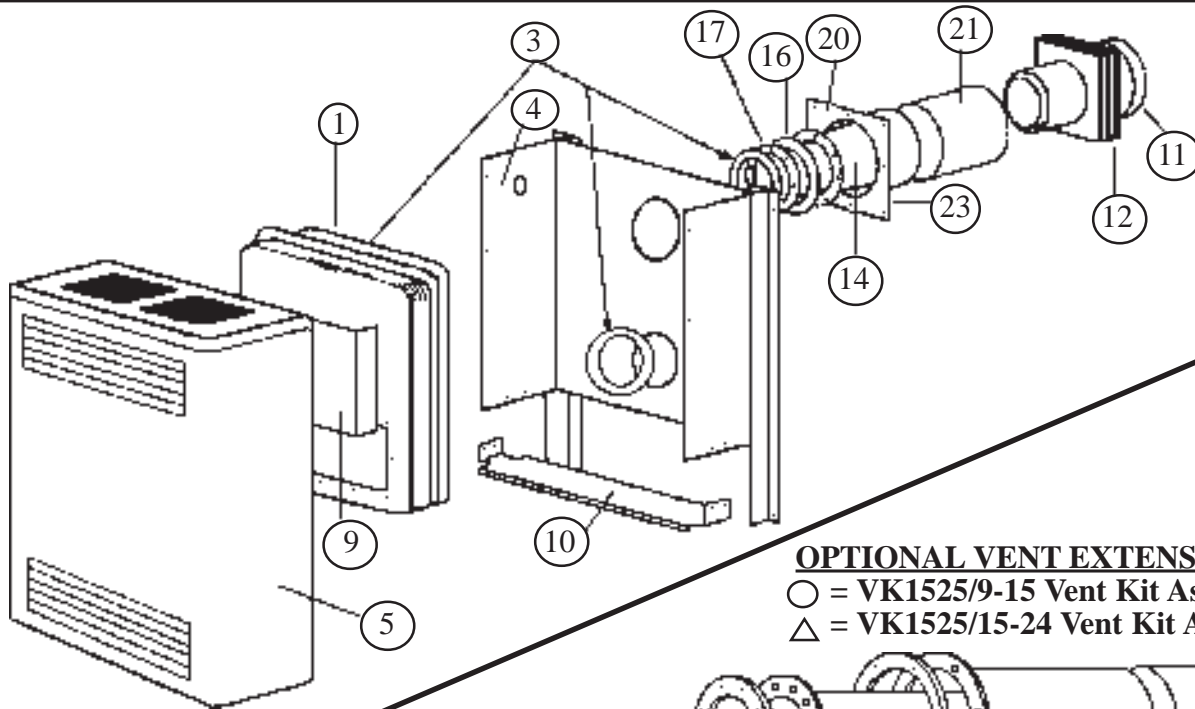
L.P. GAS
CDV156C

DIRECT VENT WALL FURNACE

PARTS LIST

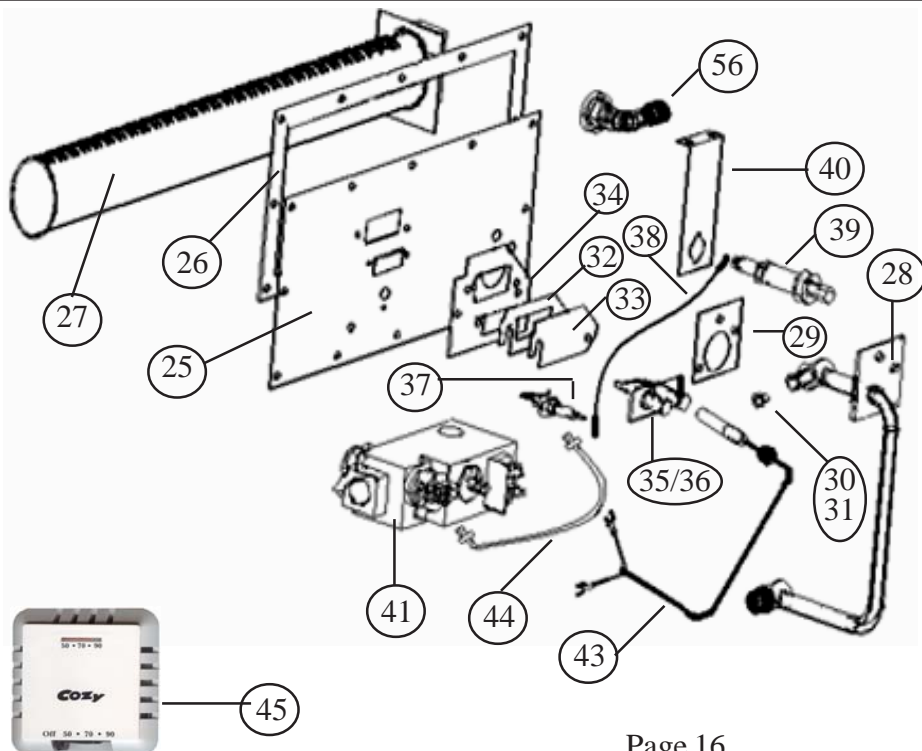
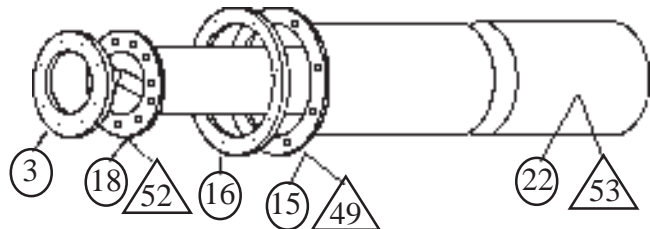
Prices and specifications subject to change without notice. All prices are F.O.B. factory.

COZY DIRECT VENT WALL FURNACE - CDV15-C

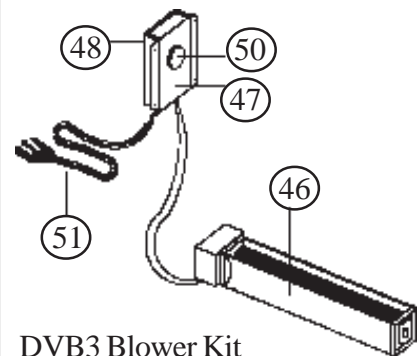


OPTIONAL VENT EXTENSIONS

- = VK1525/9-15 Vent Kit Assembly
- △ = VK1525/15-24 Vent Kit Assembly



OPTIONAL BLOWER ASSEMBLY / DVB-3



DVB3 Blower Kit
also includes:

43078 Cover Plate
43625 Blower Shield
for CDV25/33

HOW TO PROPERLY ORDER PARTS: In addition to part description and part number, please give model number, serial number, and type of gas used. This information can be found on the rating plate located in control compartment.

MODEL NUMBERS	NAT.	CDV155C	
	LP.	CDV156C	
PART DESCRIPTION	REF. NO.	PART NUMBER	LIST PRICE
Heat Exchanger	1	42565	
Vent Exhaust Tube Gasket - 5-3/8" Circle	3	70062	
Wrapper Assembly w/Comb. Air Pan	4	43051	
Cabinet	5	42555	
Front Heat Shield	9	43081	
Bottom Heat Shield	10	43075	
Vent Cap & Spacer Plate	11 & 12	43145	
Air Intake Tube Assy. (5-9" Wall) 6-3/4" Dia.	14	43200	
Air Intake Tube Assembly (9-15" Wall)	15	43810	
Air Intake Tube Assembly (15-24" Wall)	49	43705	
Air Intake Tube Gasket - 8-1/2" Circle	16	70061	
Vent Exhaust Tube Assy. (5-9" Wall) 4-3/16" Dia.	17	43206	
Vent Exhaust Tube Assembly (9-15" Wall)	18	43820	
Vent Exhaust Tube Assembly (15-24" Wall)	52	43717	
Wall Thimble Assembly (5 - 9" Wall)	20	43230	
Wall Thimble Extension (5-9" Wall)	21	43236	
Wall Thimble Extension (9-15" Wall)	22	43835	
Wall Thimble Extension (15-24" Wall)	53	43730	
Wall Thimble Gasket - 11x11"	23	70066	
Burner Access Door	25	43247	
Heat Exchanger Door Gasket - 11-3/8x5-1/2"(Burner Gasket)	26	70060	
Main Burner	27	70005	
Manifold	28	70031	
Manifold Gasket - 2x2"	29	70065	
Main Burner Orifice, Natural Gas	30	70040	
Main Burner Orifice, L.P. Gas	31	70041	
Sight Glass Assy. (Glass, Cover & Gasket included)	32	43252	
Sight Glass Cover	33	43258	
Sight Glass/Pilot Burner, Gasket - 3-1/2x2-3/4"	34	70064	
Pilot Burner Q350A2493, Natural Gas	35	70007	
Pilot Burner Q350A2501, L.P. Gas	36	70008	
Electrode	37	70052	
Electrode Wire	38	70051	
Piezo Sparker	39	80016	
Piezo Sparker Bracket	40	43263	
Valve, MV, Dexen 6003, Natural Gas for CDV155	41	84085	
Valve, MV, Dexen 6003LP, L.P. Gas for CDV156	41	84086	
Generator, Q313A1014 for CDV155 / CDV156	43	70098	
Pilot Tubing w/fittings	44	70012	
Thermostat	45	74592	
Thermostat Wire	N/A	74518	
Insulated Staples	N/A	74209	
Air Pan Assembly w/Gasket for CDV15	N/A	43059	
90 Degree Elbow	56	70352	
Vent Terminal Shield	N/A	34950	
Blower Housing w/Motor & Blower	46	70201	
Junction Box	47	43610	
Junction Box Cover	48	43620	
Fan Switch 120 Degrees	50	70110	
Cord Set	51	80202	
Cover plate	N/A	43078	

ATTN: CONTRACTORS and SERVICE TECHNICIANS, we only sell parts through our wholesalers, but the prices listed above are for your convenience. For prompt parts service, contact the wholesaler from which you purchased your Cozy heater. **NOTE:** parts and schematic drawings on current models are shown at www.cozyheaters.com.

MODEL NUMBERS

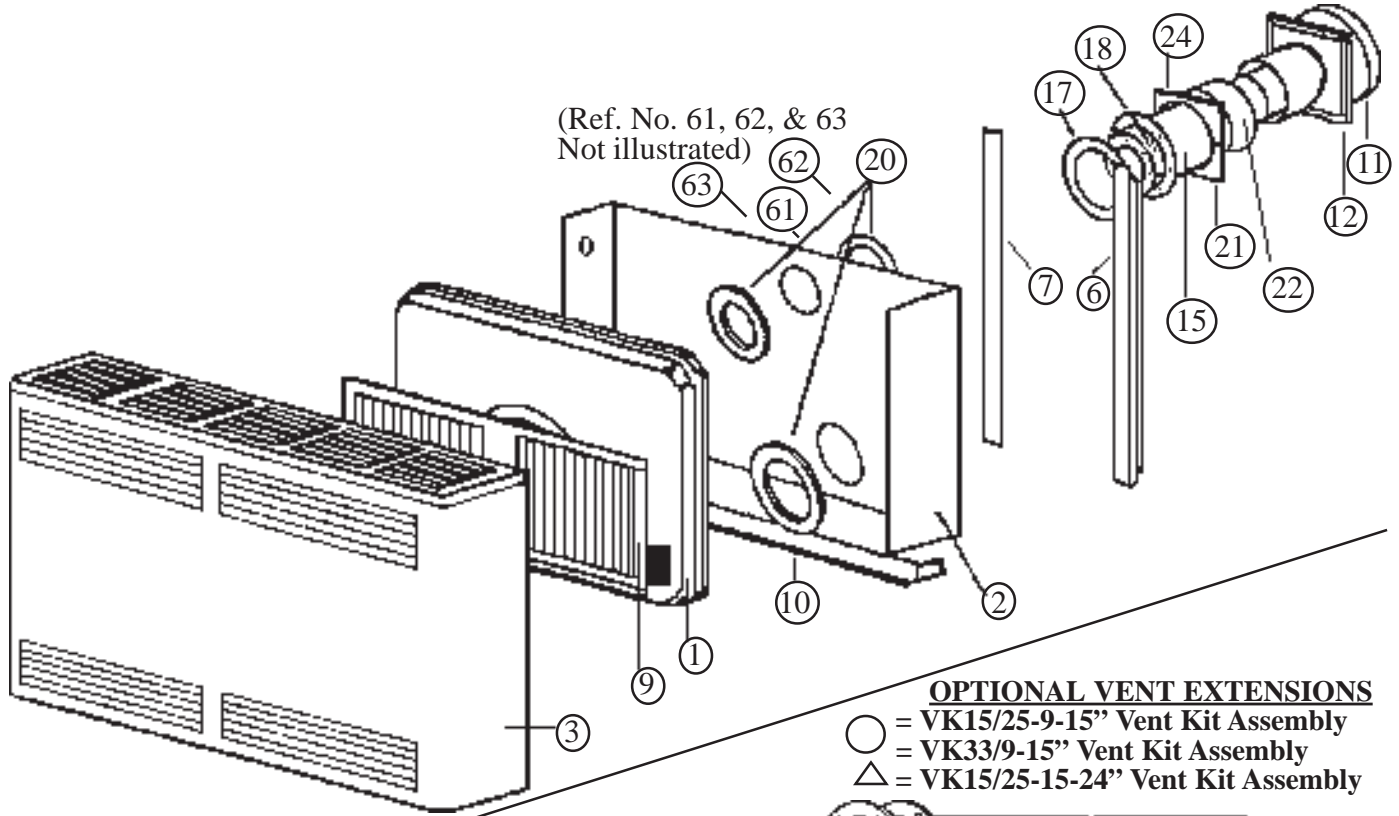
**DIRECT VENT WALL FURNACE
PARTS LIST**

Prices and specifications subject to change
without notice. All prices are F.O.B. factory.

NATURAL GAS
CDV255C
CDV335C

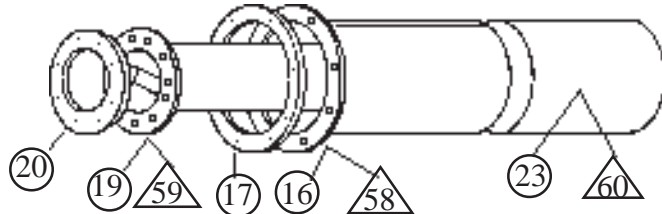
L.P. GAS
CDV256C
CDV336C

COZY DIRECT VENT WALL FURNACE - CDV25-C / CDV33-C

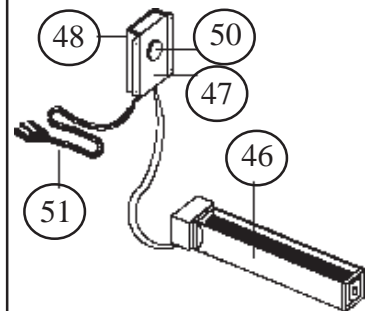
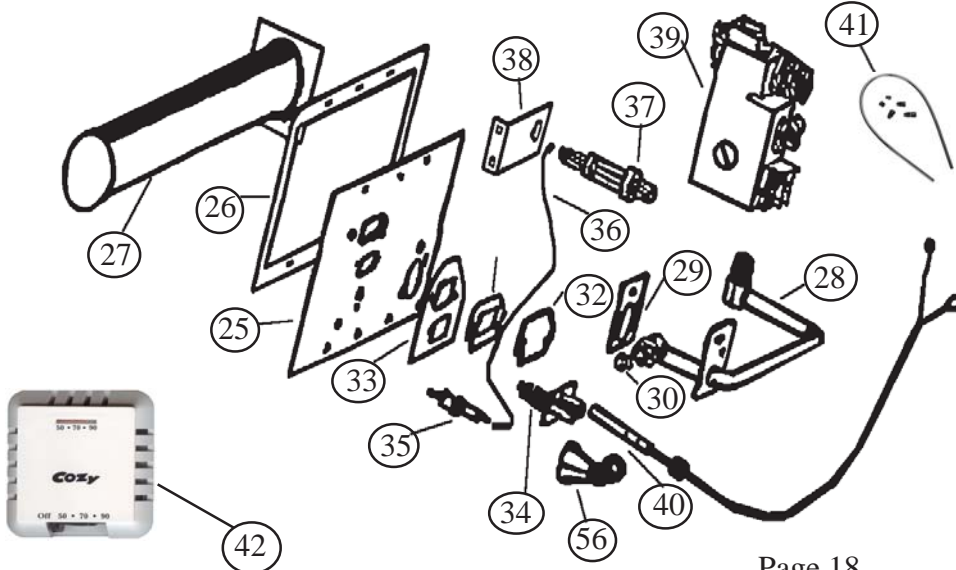


OPTIONAL VENT EXTENSIONS

- = VK15/25-9-15" Vent Kit Assembly
- = VK33/9-15" Vent Kit Assembly
- △ = VK15/25-15-24" Vent Kit Assembly



**OPTIONAL BLOWER
ASSEMBLY / DVB-3**



DVB3 Blower Kit also includes:
43078 Cover Plate
43625 Blower Shield for
CDV25/33

HOW TO PROPERLY ORDER PARTS: In addition to part description and part number, please give model number, serial number, and type of gas used. This information can be found on the rating plate located in control compartment.

MODEL NUMBERS	NAT.	CDV255C		CDV335C	
	L.P.	CDV256C		CDV336C	
PART DESCRIPTION	REF. NO.	PART NO.	LIST PRICE	PART NO.	LIST PRICE
Heat Exchanger Kit, INCLUDES Wrapper (Ref. # 2), Right and Left Leg (Ref. # 6 & 7), AND Comb. Air Pan Assembly w/Gaskets (Ref. # 63)	1	42770		42770	
Cabinet	3	42755		42755	
Leg, Right	6	43495		43495	
Leg, Left	7	43494		43494	
Front Heat Shield Assembly	9	43481		43481	
Bottom Heat Shield Assembly	10	43473		43473	
Vent Cap with Spacer Plate	11 & 12	43145		43145	
Air Intake Tube Assy. (5-9" Wall) 6-3/4"Dia.	15	43200		43200	
Air Intake Tube Assy. (9-15" Wall)	16	43810		43810	
Air Intake Tube Assy. (15-24" Wall)	58	43705		N/A	
Air Intake Tube Gasket - 8-1/2" Circle	17	70061		70061	
Vent Exhaust Tube Assy. (5-9" Wall) 4-3/16" dia.	18	43530		43538	
Vent Exhaust Tube Assy. (9-15" Wall)	19	43820		43828	
Vent Exhaust Tube Assy. (15-24" Wall)	59	43717		N/A	
Vent Exhaust Tube Gasket (Requires 4) 5-3/8" Circle	20	70062		70062	
Wall Thimble (5-9" Wall)	21	43552		43552	
Wall Thimble Extension (5-9" Wall)	22	43236		43236	
Wall Thimble Extension (9-15" Wall)	23	43835		43835	
Wall Thimble Extension (15-24" Wall)	60	43730		N/A	
Wall Thimble Gasket - 11x11"	24	70066		70066	
Burner Access Door	25	43247		43247	
Burner Access Door Gasket - 5-1/2x11-3/8"	26	70060		70060	
Burner	27	70006		70006	
Manifold	28	70032		70032	
Manifold Gasket - 2x2"	29	70065		70065	
Main Burner Orifice (Nat. Gas)	30	70048		70047	
Main Burner Orifice (L.P. Gas)	30	70039		70049	
Sight Glass Assy. (Glass, Cover & Gasket Included)	31	43252		43252	
Sight Glass Cover	32	43258		43258	
Sight Glass/Pilot Burner, Gasket - 3-1/2x2-3/4"	33	70064		70064	
Pilot Burner Q350A2493 (Nat. Gas)	34	70007		70007	
Pilot Burner Q350A2501 (L.P. Gas)	34	70008		70008	
Electrode	35	70052		70052	
Electrode Wire	36	70051		70051	
Piezo Sparker	37	80016		80016	
Piezo Sparker Bracket	38	43263		43263	
Valve, MV, Dexen 6003, Natural Gas	39	84085		84085	
Valve, MV, Dexen 6003LP, L.P. Gas	39	84086		84086	
Pilot Generator, Q313A1014 Millivolt	40	70098		70098	
Pilot Tubing w/fittings	41	70012		70012	
Thermostat, Millivolt	42	74592		74592	
Thermostat Wire	N/A	74518		74518	
Insulated Staples	N/A	74209		74209	
Gasket, Air Pan Top & Bottom (15-1/4x1)	61	*70074		*70074	
Gasket, Air Pan Sides (25x1)	62	*70073		*70073	
90 Degree Elbow	56	70352		70352	
Vent Terminal Shield	N/A	34950		34950	
Blower Housing w/Motor & Blower	46	70201		70201	
Junction Box	47	43610		43610	
Junction Box Cover	48	43620		43620	
Fan Switch 120 degree	50	70110		70110	
Cord Set	51	80202		80202	
Cover Plate	N/A	43078		43078	
Blower Shield	N/A	43625		43625	
Left Air Intake Baffle	N/A	43528		43528	
Right Air Intake Baffle	N/A	43526		43526	

ATTN: CONTRACTORS and SERVICE TECHNICIANS, we only sell parts through our wholesalers, but the prices listed above are for your convenience. For prompt parts service, contact the wholesaler from which you purchased your Cozy heater. **NOTE:** Parts & schematic drawings on current models are shown at www.cozyheaters.com.