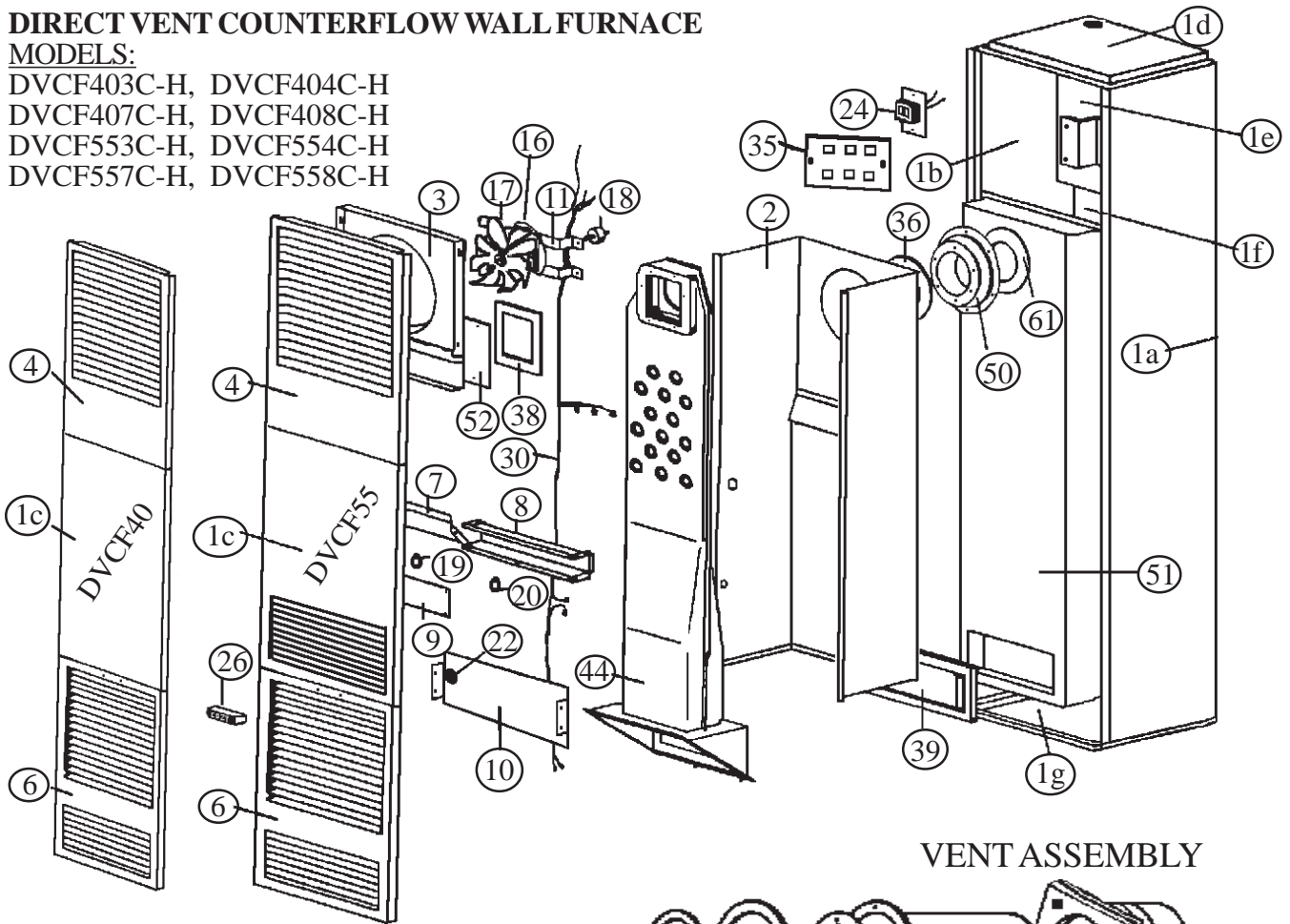


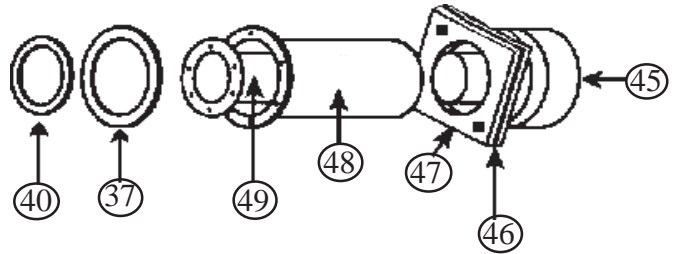
DIRECT VENT COUNTERFLOW WALL FURNACE

MODELS:

- DVCF403C-H, DVCF404C-H
- DVCF407C-H, DVCF408C-H
- DVCF553C-H, DVCF554C-H
- DVCF557C-H, DVCF558C-H

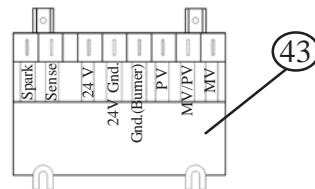


VENT ASSEMBLY

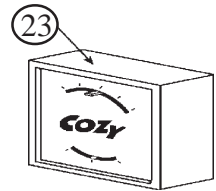


ATTN: CONTRACTORS AND TECHNICIANS
 We only sell parts through our wholesalers. For prompt parts service, contact the wholesaler from which you purchased your Cozy heater.
NOTE: Parts and schematic drawings on current models are shown at www.cozyheaters.com

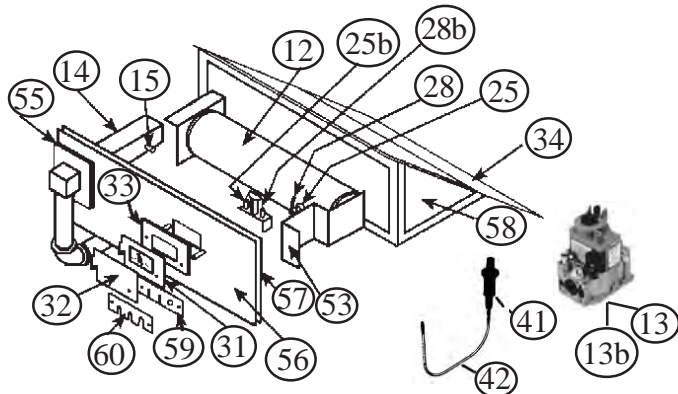
I.I.D. CONTROL MODULE HONEYWELL



THERMOSTAT



BURNER ASSEMBLY DVCF40C-H, DVCF55C-H, SERIES



USE ONLY FACTORY SUPPLIED PARTS

HOW TO PROPERLY ORDER PARTS

In addition to part description and part number, please give model number, serial number, and type of gas used.

	NAT.	DVCF403C-H	DVCF407C-H	DVCF553C-H	DVCF557C-H
MODEL NUMBER	L.P.	DVCF404C-H	DVCF408C-H	DVCF554C-H	DVCF558C-H
PART DESCRIPTION	REF. NO.	PART NO.	PART NO.	PART NO.	PART NO.
Casing Side, Right	1a	34065	34065	34560	34560
Casing Side, Left	1b	34055	34055	34550	34550
Center Front Panel Assembly	1c	34104	34104	30534	30534
Top Assembly	1d	34050	34050	34050	34050
Upper Back Assembly	1e	34080	34080	34080	34080
Lower Back Assembly	1f	34090	34090	34575	34575
Bottom Assembly	1g	34070	34070	34070	34070
Casing Mounting Brackets	N/A	*30260	*30260	*30260	*30260
Liner Assembly	2	34115	34115	34600	34600
Fan Shroud Assembly	3	34140	34140	34140	34140
Top Louver	4	34100	34100	34590	34590
Bottom Louver Assembly	6	30100	30100	30100	30100
Upper Front Shield	7	30250	30250	30250	30250
Switch Box	8	30252	30252	30252	30252
Switch Box Cover	9	30253	30253	30253	30253
Lower Front Shield	10	30256	30256	30256	30256
Motor Mounting Bracket	11	*34088	*34088	*34579	*34579
Burner	12	72107	72107	72107	72107
Pilot Bracket	53	34440	34440	34440	34440
Valve, VR8200H-1004, Nat. w/78089 Dis. Bushing	13	78090	N/A	78090	N/A
Valve, VR8200H-1103, L.P. w/78089 Dis. Bushing	13	78091	N/A	78091	N/A
Valve, VR8204H-1006, Nat. w/78089 Dis. Bushing	13b	N/A	78092	N/A	78092
Valve, VR8204H-1006 (Conv.), L.P. w/78089 Bushing	13b	N/A	78093	N/A	78093
Disappearing Bushing 1/2x3/8	N/A	78089	78089	78089	78089
Manifold	14	72103	72103	72103	72103
Burner Orifice, Natural Gas	15	72147	72147	72140	72140
Burner Orifice, L.P. Gas	15	72149	72149	72141	72141
Fan Motor	16	72108	72108	72110	72110
Fan Blade, Dynacone	17	72111	72111	72111	72111
Rubber Grommet (Requires 4)	18	**78010	**78010	**78010	**78010
Limit Switch 60T11-L220F	19	N/A	N/A	72160	72160
Limit Switch 60T11-L180F	19	78065	78065	N/A	N/A
Fan Switch 60T12 F110 Degree	20	78064	78064	78064	78064
Aux. Limit Switch 60T15-L350	22	78086	78086	78086	78086
Thermostat 24 Volt	23	78355	78355	78355	78355
Transformer	24	78069	78069	78069	78069
Transformer Plate	N/A	34089	34089	34089	34089
Terminal Board	35	78300	78300	78300	78300
Pilot 0.140.512, Natural Gas (w/Electrode)	25	72020	N/A	72020	N/A
Pilot 0.140.502, L.P. Gas (w/Electrode)	25	72021	N/A	72021	N/A
Cozy Handle	26	84003	84003	84003	84003
Thermostat Wire	27	74518	74518	74518	74518
Thermocouple Q309A1954	28	78095	N/A	78095	N/A
Insulated Staples	29	74209	74209	74209	74209
Pilot Assy. Electronic w/Flame Ignitor Nat.	25b/28b	N/A	78098	N/A	78098
Pilot Assy. Electronic w/Flame Ignitor L.P.	25b/28b	N/A	78099	N/A	78099
Wiring Harness	30	72251	72252	72253	72250

ATTN: CONTRACTORS & TECHNICIANS - We only sell parts through our wholesalers.
 For prompt parts service, contact the wholesaler from which you purchased your Cozy heater.
NOTE: Parts and schematic drawings on current models are shown at www.cozyheaters.com

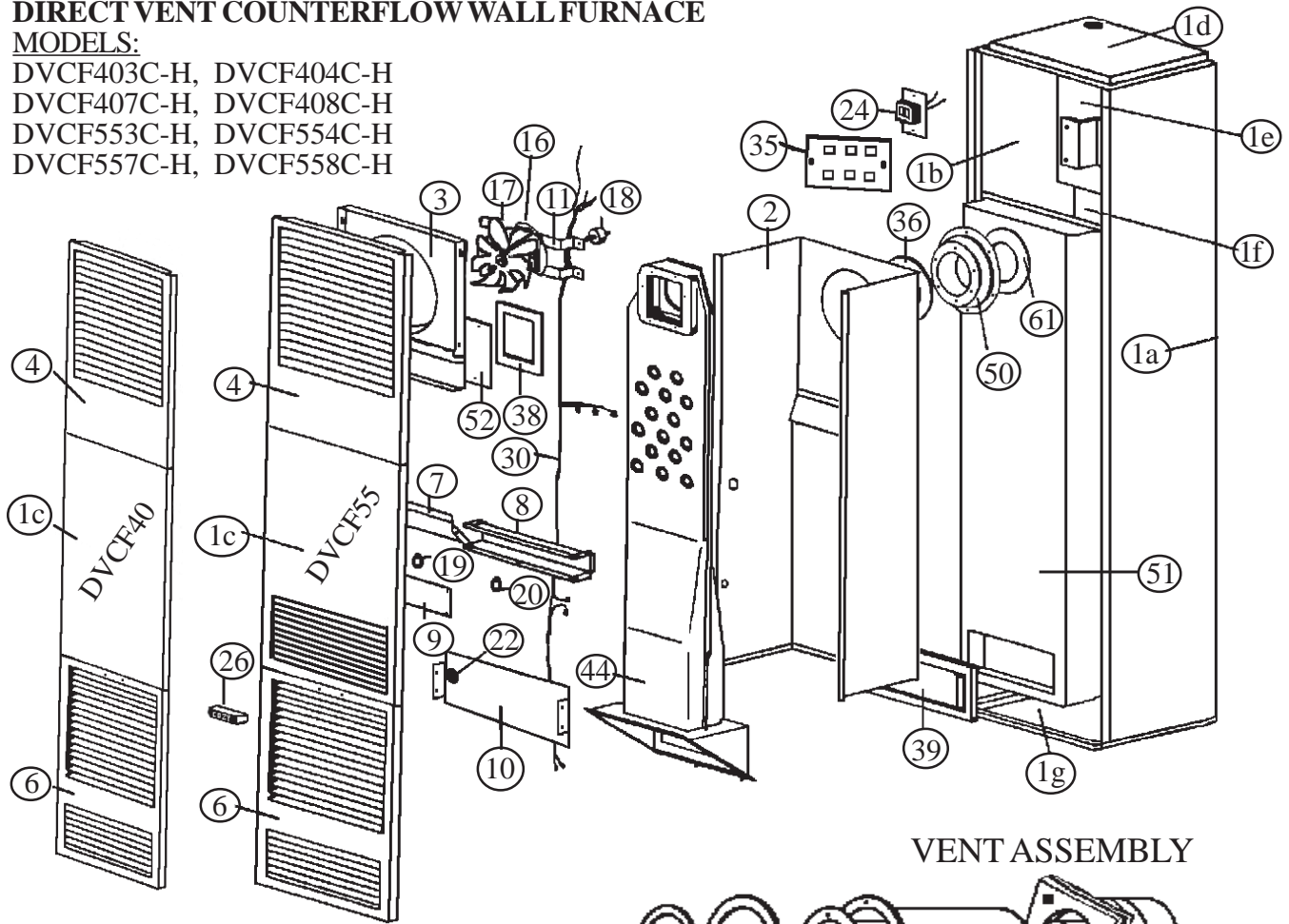
PARTS LIST CONTINUED

*Requires 2 **Requires 4

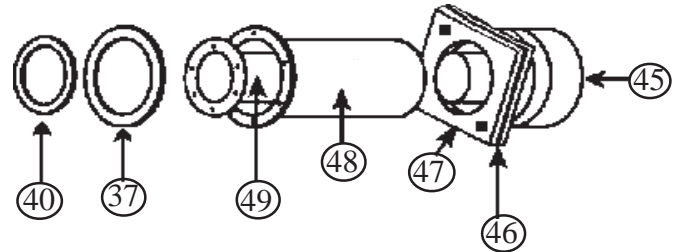
DIRECT VENT COUNTERFLOW WALL FURNACE

MODELS:

- DVCF403C-H, DVCF404C-H
- DVCF407C-H, DVCF408C-H
- DVCF553C-H, DVCF554C-H
- DVCF557C-H, DVCF558C-H

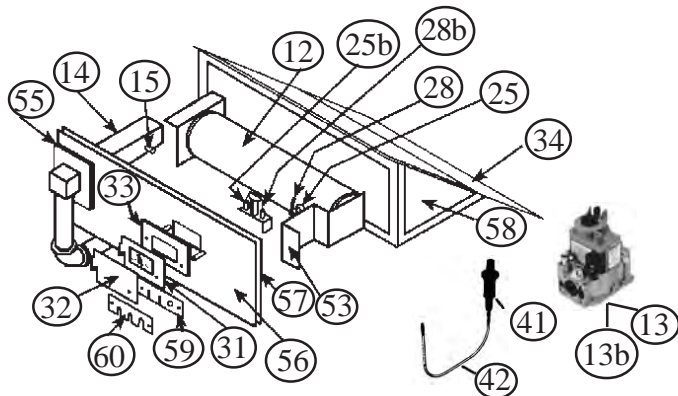


VENT ASSEMBLY

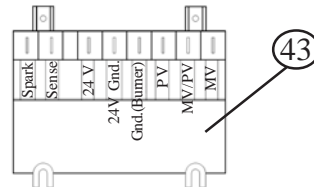


ATTN: CONTRACTORS AND TECHNICIANS
 We only sell parts through our wholesalers. For prompt parts service, contact the wholesaler from which you purchased your Cozy heater.
NOTE: Parts and schematic drawings on current models are shown at www.cozyheaters.com

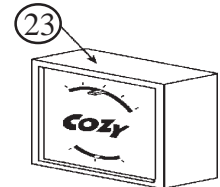
BURNER ASSEMBLY DVCF40C-H, DVCF55C-H, SERIES



I.I.D. CONTROL MODULE HONEYWELL



THERMOSTAT



USE ONLY FACTORY SUPPLIED PARTS

HOW TO PROPERLY ORDER PARTS

In addition to part description and part number, please give model number, serial number, and type of gas used.

	NAT.	DVCF403C-H	DVCF407C-H	DVCF553C-H	DVCF557C-H
MODEL NUMBER	L.P.	DVCF404C-H	DVCF408C-H	DVCF554C-H	DVCF558C-H
PART DESCRIPTION	REF. NO.	PART NO.	PART NO.	PART NO.	PART NO.
Power Cord	N/A	78213	78213	78213	78213
Sight Glass Assy. (Includes Cover & Gasket)	31	43252	43252	43252	43252
Sight Glass Cover	32	43258	43258	43258	43258
Sight Glass Gasket - 1-3/8x3"	33	72067	72067	72067	72067
Burner Box Gasket	34	72059	72059	72059	72059
Slip Joint Assembly w/Gaskets	50	34220	34220	34220	34220
Slip Joint Gasket - 3-1/2x7	N/A	72057	72057	72057	72057
Slip Joint Ring Gasket - 9-1/2" Circle	61	72056	72056	72056	72056
Slip Jt. Ring Gsk. (2 pc. Graphite) 3-3/4x7-1/2"	N/A	72058	72058	72058	72058
Flue Outlet Pipe Gasket - 7" Circle	36	72055	72055	72055	72055
Air Intake Pipe Gasket - 9-1/2" Circle	37	72054	72054	72054	72054
Heat Exchanger Cover Plate	52	34195	34195	34195	34195
Heat Exchanger Cover Plate Gasket - 7x6"	38	72053	72053	72053	72053
Burner Box Inlet Gasket - 11-1/2x5" (Air Box)	39	72052	72052	72052	72052
Exhaust Pipe Gasket - 7" Circle	40	72051	72051	72051	72051
Manifold Gasket - 2x2"	55	72068	72068	72068	72068
Piezo Igniter	41	80016	N/A	80016	N/A
Igniter Wire 0.028.508	42	72022	N/A	72022	N/A
Ignition ControlBox S8600B, Honeywell	43	N/A	78097	N/A	78097
Heat Exchanger Kit	44	34805	34805	34815	34815
Vent Cap Assy. w/Spacer Plate Complete	45 & 46	34250	34250	34250	34250
Vent Cap Mounting Kit	47	34330	34330	34330	34330
Air Intake Pipe Assembly	48	34280	34280	34280	34280
Vent Exhaust Pipe Assembly	49	34290	34290	34290	34290
Elbow 3/8x90 Degree	N/A	84501	84501	84501	84501
Air Drop Assembly	51	34201	34201	34630	34630
Burner Box Bottom Assembly	58	34400	34400	34400	34400
Burner Access Door	56	34425	34425	34425	34425
Burner Access Gasket - 4x13"	57	72065	72065	72065	72065
90 Deg. Pilot Fitting	N/A	N/A	70352	N/A	70352
Pilot Tube Bracket	60	34475	34475	34475	34475
Vent Terminal Shield	N/A	34950	34950	34950	34950
Pilot Tubing w/Fittings - 16"	N/A	78452	78452	78452	78452
Pilot Tube Gasket - 2-1/2x3/4"	59	72063	72063	72063	72063
Lighting Instructions DVCF	N/A	91260	91261	91260	91261

ATTN: CONTRACTORS & TECHNICIANS - We only sell parts through our wholesalers.
 For prompt parts service, contact the wholesaler from which you purchased your Cozy heater.
NOTE: Parts and schematic drawings on current models are shown at www.cozyheaters.com