

VENTED CONSOLE - (PARTS LIST)

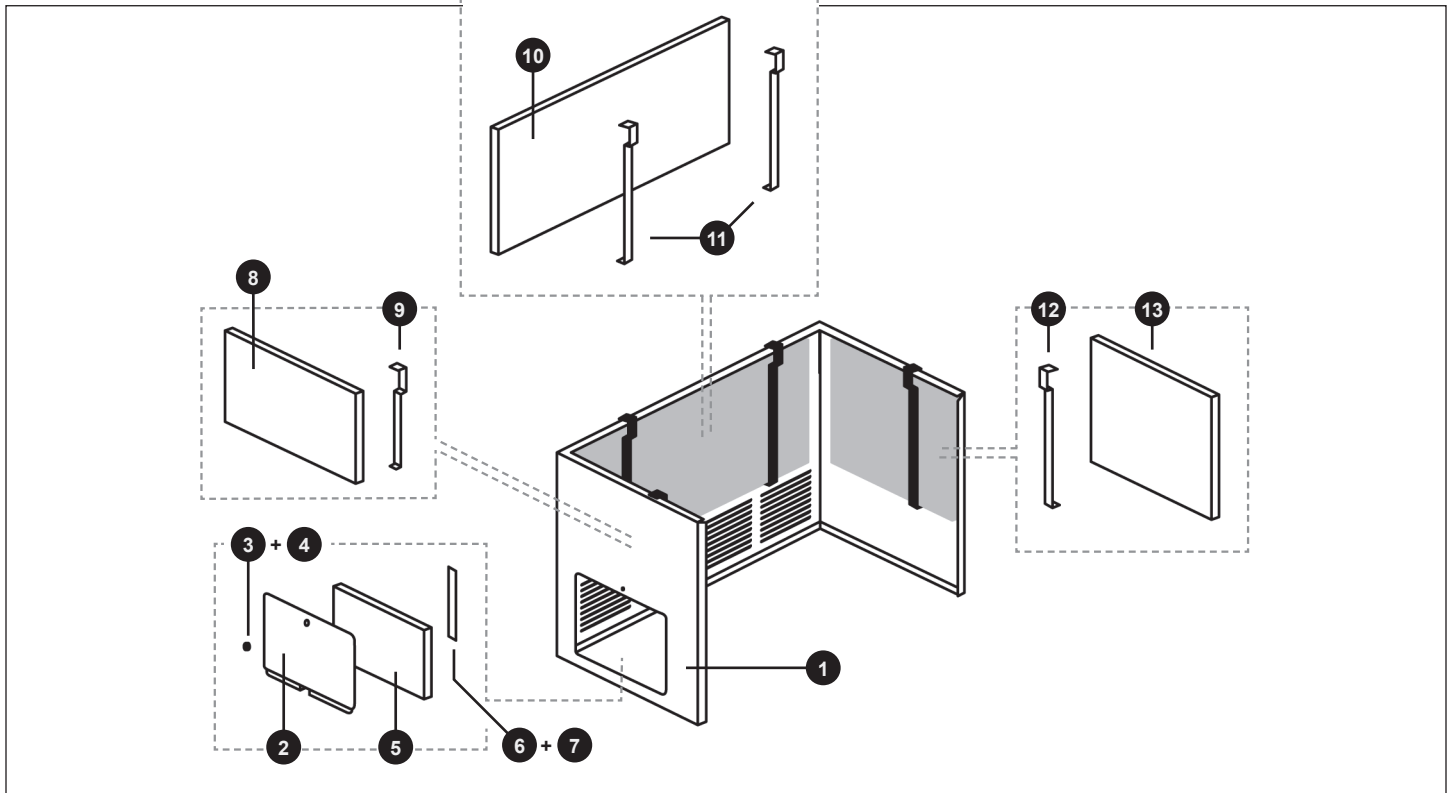
VC-C Closed Front Circulators & CHB3 Blower | *Specifications are subject to change without notice.*

ATTN: Contractors and Qualified Service Technicians

We only sell parts through our wholesalers. For prompt parts service, contact the wholesaler from which you purchased your Cozy heater.

NOTICE: When ordering any component in the control train assembly, specify either Dexen, Honeywell, or Robertshaw components.

Fig. M-1



HOW TO PROPERLY ORDER PARTS:

In addition to the part description and numbers, please be prepared to provide:

- Model Number
- Serial Number
- Type of Gas Used

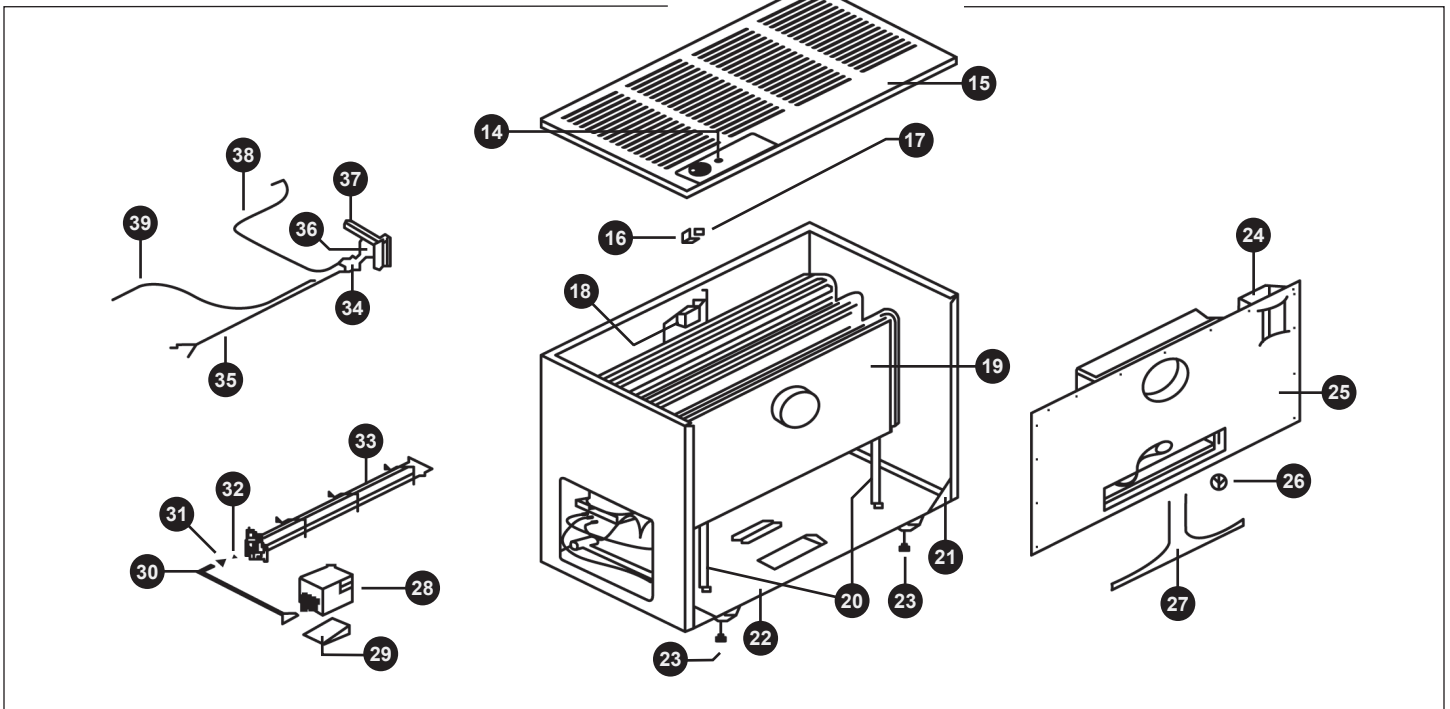
This information can be found on the rating plate that is attached to the heater.

FOR NAT. MODELS:

		VC201C	VC351C	VC501C
REF. #	PART DESCRIPTION	PART NO.	PART NO.	PART NO.
1	HOUSING , VC Service	1017474	1017475	1017476
2	DOOR , Small Service	1017477	1017477	1017478
3	KNOB , Phenolic Fluted-Rim	1017451	1017451	1017451
4	U-NUT , Clip-on No-Slip Pk25	1017452	1017452	1017452
5	INSULATION , Foil Faced, 8.5 x 6.5	1017286	1017286	1017287
6	BRACKET , Door	1017285	1017285	1017285
7	SCREW , 8 x 1/2 Pan, Teks Pt. (Qty: 2)	50605	50605	50605
8	INSULATION , Foil Faced	80281	80286	80289
9	BRACKET	1017227ASM	1017282ASM	1017282ASM
10	INSULATION , Foil Faced	80280	80297	80297
11	BRACKET (Qty: 2)	1017281ASM	1017283ASM	1017283ASM
12	BRACKET	1017227ASM	1017284ASM	1017284ASM
13	INSULATION , Foil Faced	80281	80285	80288

NOTE: Parts & schematic drawings on current models are shown at: cozyheaters.com
Specifications subject to change without notice.

Fig. M-2



FOR NAT. MODELS:

REF. #	PART DESCRIPTION	VC201C PART NO.	VC351C PART NO.	VC501C PART NO.
14	PIEZO IGNITOR	80016	80016	80016
15	CASING, Top Assembly	45052-10	45552-10	46402-10
16	GROMMET, Control Rod	80010	80010	80010
17	REMOTE MOUNTING BRACKET	45062	45062	45062
18	BULB CONTROL SWITCH (Cotherm)	80180	80180	80180
19	HEAT EXCHANGER, Closed Front	45200	45675	46500
20	REAR LEG, Heat Exchanger	N/A	45760	45760
21	GUSSET	*45195	*45195	*45195
22	CASING BASE, Assembly	45175	45640	46460
23	LEG LEVELLERS, 4 per heater	80009	80009	80009
24	DRAFT DIVERTER, Assembly	45300	45783	46558
25	CASING, Back Assembly	45150	45612	45612
26	SWITCH, Vent Safety Spill / VC	80102	80106	84166
27	WIRING HARNESS	80212	80213	80213
28	VALVE, 6003 Natural Gas Valve, Dexen	84085	84085	84085
29	VALVE, Support Bracket	45336	45336	45336
30	MANIFOLD	80133	80133	80135
31	ORIFICE NUT	80024	80024	80024
32	BURNER ORIFICE, Natural Gas	80025	80058	80119
33	BURNER, Steel	80123	80124	80125
34	PILOT ASSY. 0.140.514 Nat. w/ Electrode	80062	80062	80062
35	PILOT GENERATOR 23"	70098	70098	70098
36	LIGHTING HOLE COVER, Pilot	45332	45332	45332
37	BURNER MOUNTING PLATE, Assembly	45817	45817	45817
38	PILOT TUBING Assy. w/Fittings 24"	70012	70012	70012
39	PIEZO WIRE	80128	80128	80128

ADDITIONAL PARTS:

PART DESCRIPTION	PART NO.
COZY LOGO Emblem	80006
CLIPS, for Cozy Emblem	80007
LIGHTING INSTRUCTIONS	47740
HEAT EXCHANGER SPACER:	
VC201C, Spacer	N/A
VC351C, Spacer	45845
VC501C, Spacer	45845

*Two (2) are Required

Specifications subject to change without notice.

FOR MODELS THAT HAVE BEEN CONVERTED TO LP:

	VC202C	VC352C	VC502C
28	VALVE, 6003 L.P. Gas Valve, Dexen	84086	84086
34	PILOT ASSY. 0.140.504 L.P. w/ Electrode	80063	80063
32	BURNER ORIFICE, L.P. Gas	80027	80120

VENTED CONSOLE - (PARTS LIST)

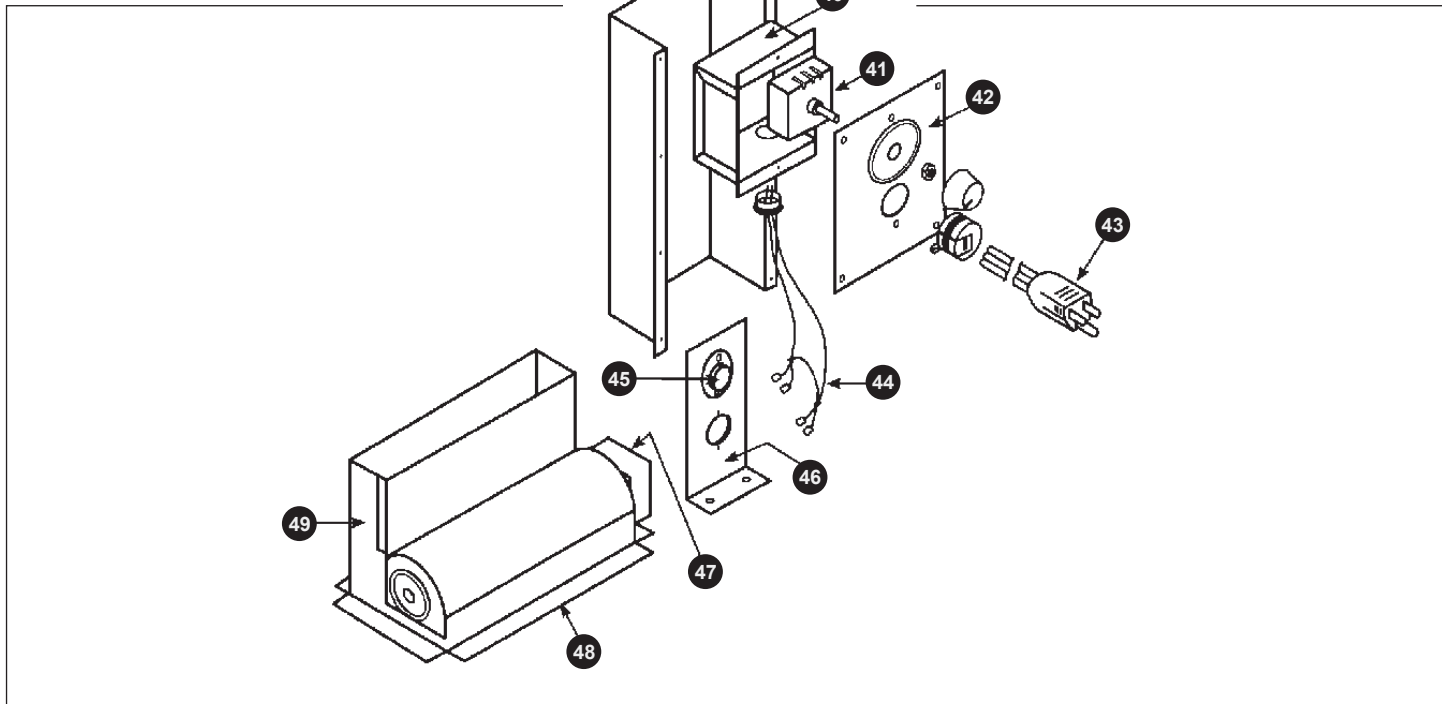
VC-C Closed Front Circulators & CHB3 Blower | *Specifications are subject to change without notice.*

ATTN: Contractors and Qualified Service Technicians

We only sell parts through our wholesalers. For prompt parts service, contact the wholesaler from which you purchased your Cozy heater.

NOTICE: When ordering any component in the control train assembly, specify either Dexen, Honeywell, or Robertshaw components.

Fig. M-3



BLOWER PARTS
Optional for VC351C & VC50C.

**CHB-3
BLOWER**

**HOW TO PROPERLY
ORDER PARTS:**

In addition to the part description and numbers, please be prepared to provide:

- Model Number
- Serial Number
- Type of Gas Used

This information can be found on the rating plate that is attached to the heater.

REF. #	PART DESCRIPTION	PART NO.
40	JUNCTION BOX, Assembly	47850
41	SPEED CONTROL SWITCH, with Knob & Decal	70111
42	COVER, Junction Box	47870
43	POWER CORD	80202
44	WIRING HARNESS, Motor	80256
45	FAN SWITCH	80253
46	BRACKET, Fan Switch	47840
47	BLOWER / MOTOR, Assembly	80251
48	MOUNTING BRACKET	47835
49	BLOWER NOZZLE, Assembly	47820
N/A	BLOWER GASKET, 7 - 1/4"	*80257
N/A	BLOWER GASKET, 4 - 5/8"	*80258

* Two (2) are Required

NOTE: Parts & schematic drawings on current models are shown at: cozyheaters.com
Specifications subject to change without notice.