

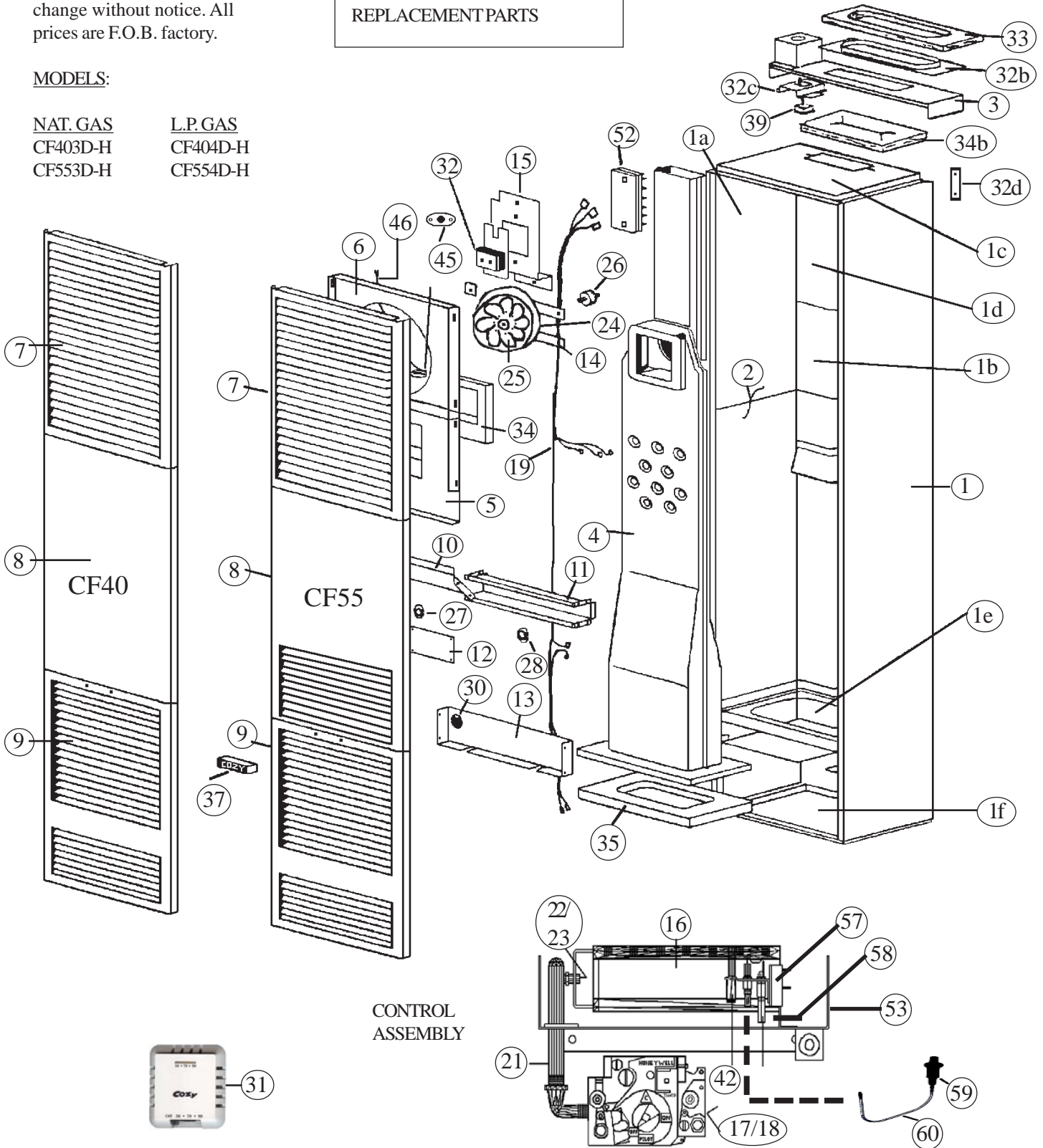
COUNTERFLOW WALL FURNACE / STANDING PILOT

Prices and specifications subject to change without notice. All prices are F.O.B. factory.

USE ONLY FACTORY SUPPLIED REPLACEMENT PARTS

MODELS:

NAT. GAS	L.P. GAS
CF403D-H	CF404D-H
CF553D-H	CF554D-H



ATTN: Contractors and Service Technicians, we only sell parts through our wholesalers, but the prices listed are for your convenience. For prompt parts service, contact the wholesaler from which you purchased your Cozy heater. **NOTE:** Parts & schematic drawings on current models are shown at www.cozyheaters.com.

HOW TO PROPERLY ORDER PARTS: In addition to part description and part number, please give model number, serial number, and type of gas used. This information can be found on the rating plate that is attached to heater.

24 VOLT SYSTEM WITH LOW-B.T.U. STANDING PILOT					
MODEL NUMBER	NATURAL	CF403D-H CF404D-H		CF553D-H CF554D-H	
	REF. NUMBER	PART NUMBER	LIST PRICE	PART NUMBER	LIST PRICE
Casing Side, Right	1	30325		30525	
Casing Side, Left	1a	30330		30530	
Center Back Assembly	1b	30364		30544	
Top Assembly	1c	30025		30025	
Upper Back Assembly	1d	30070		30070	
Lower Back Assembly	1e	30219		30219	
Bottom	1f	30246		30246	
Liner Assembly	2	30370		30550	
Header Assembly Complete	3	31399		31399	
Heat Exchanger Assembly	4	30378		30577	
Draft Diverter Assembly	5	30400		30400	
Fan Shroud Assembly	6	30200		30200	
Top Louver w/Insulation	7	30087		30087	
Center Front Panel w/Insulation	8	30359		30534	
Bottom Louver Assembly w/Insulation	9	30100		30100	
Upper Front Shield	10	30250		30250	
Switch Box	11	30450		30450	
Switch Box Cover	12	30253		30253	
Lower Front Shield	13	30256		30256	
Motor Mounting Bracket	14	*30079		*30079	
Junction Box Cover	15	30033		30033	
Burner	16	72107		72107	
Valve, VR8200H-1004 Natural Gas w/78089 Dis. Bushing	17	78090		78090	
Valve, VR8200H-1103 L.P. GAS w/78089 Dis. Bushing	18	78091		78091	
Disappearing Bushing 1/2 x 3/8	---	78089		78089	
Wiring Harness	19	78251		78252	
Manifold	21	78006		78006	
Orifice,NATURAL	22	72147		78161	
Orifice, L.P.	23	72149		78168	
Fan Motor	24	78111		78111	
Fan Blade	25	78101		78101	
Rubber Grommet (Requires 4)	26	**78010		**78010	
Limit Switch 60T11-L180	27	78065		78065	
Fan Switch 60T12-F120	28	78067		78067	
Speed Switch 60T13-F160-30	29	78066		78066	
Auxiliary Limit Switch 60T15-L350	30	78086		78086	
Thermostat 24 Volt	31	78355		78355	
Transformer	32	78069		78069	
Flue Pipe Adapter	32b	40061		40061	
Plug Bracket	32c	30047		30047	
Casing Mounting Brackets	32d	*30260		*30260	
Flue Pipe Gasket - 4x8-7/16"	33	78050		78050	
Draft Diverter Gasket - 7x8"	34	78051		78051	
Casing Top Gasket - 8-1/2x4-1/2"	34b	78155		78155	
Element Support Gasket - 9-1/2x14-1/4"	35	78052		78052	
Pilot,NAT. 0.140.512	36	72020		72020	
Pilot, L.P.. 0.140.502	36	72021		72021	
Cozy Handle	37	84003		84003	
Power Cord	38	78213		78213	
Snap-in Outlet	39	78058		78058	
Thermostat Wire	41	74518		74518	
Thermocouple Q309A1954	42	78095		78095	
Insulated Staples	43	74209		74209	
Door Catch	44	80005		80005	
Blocked Flue Switch	45	78107		78109	
Blocked Flue Switch Wire	46	78230		78230	
Terminal Board	52	78300		78300	
Pilot Tubing w/Fittings - 16"	--	78452		78452	
Piezo Sparker	59	80016		80016	
Electrode Wire	60	72022		72022	
Burner Pan Assembly	53	30286		30286	
Valve Support Bracket Assembly	--	30290		30290	
Pilot Mounting Bracket	57	30299		30299	
Burner Mounting Plate	58	30296		30296	
Lighting Instructions "CF"	--	91272		91272	

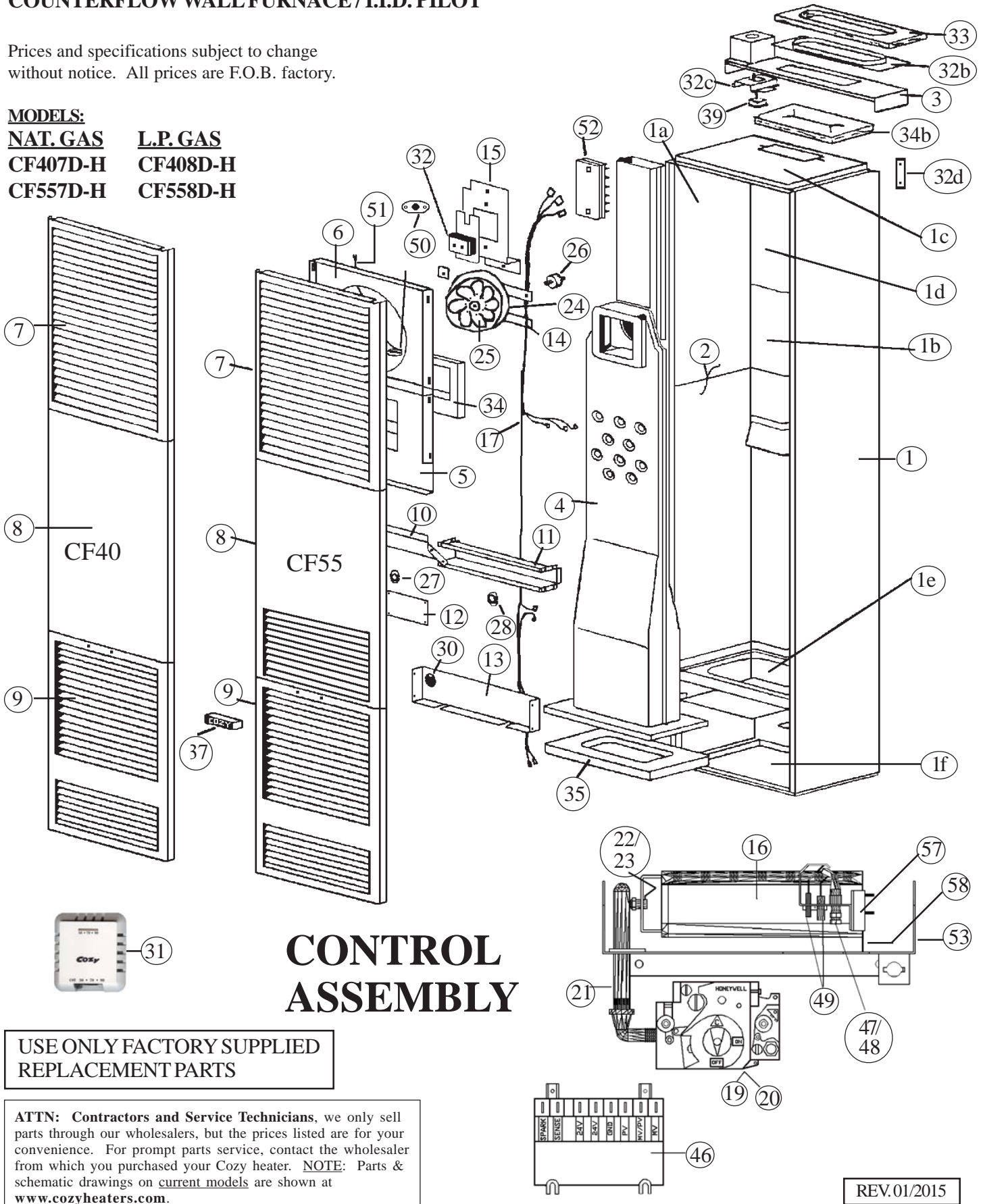
ATTN: Contractors and Service Technicians, we only sell parts through our wholesalers, but the prices listed above are for your convenience. For prompt parts service, contact the wholesaler from which you purchased your Cozy heater. **NOTE:** Parts & schematic drawings on current models are shown at www.cozyheaters.com.

COUNTERFLOW WALL FURNACE / I.I.D. PILOT

Prices and specifications subject to change without notice. All prices are F.O.B. factory.

MODELS:

NAT. GAS	L.P. GAS
CF407D-H	CF408D-H
CF557D-H	CF558D-H



CONTROL ASSEMBLY

USE ONLY FACTORY SUPPLIED REPLACEMENT PARTS

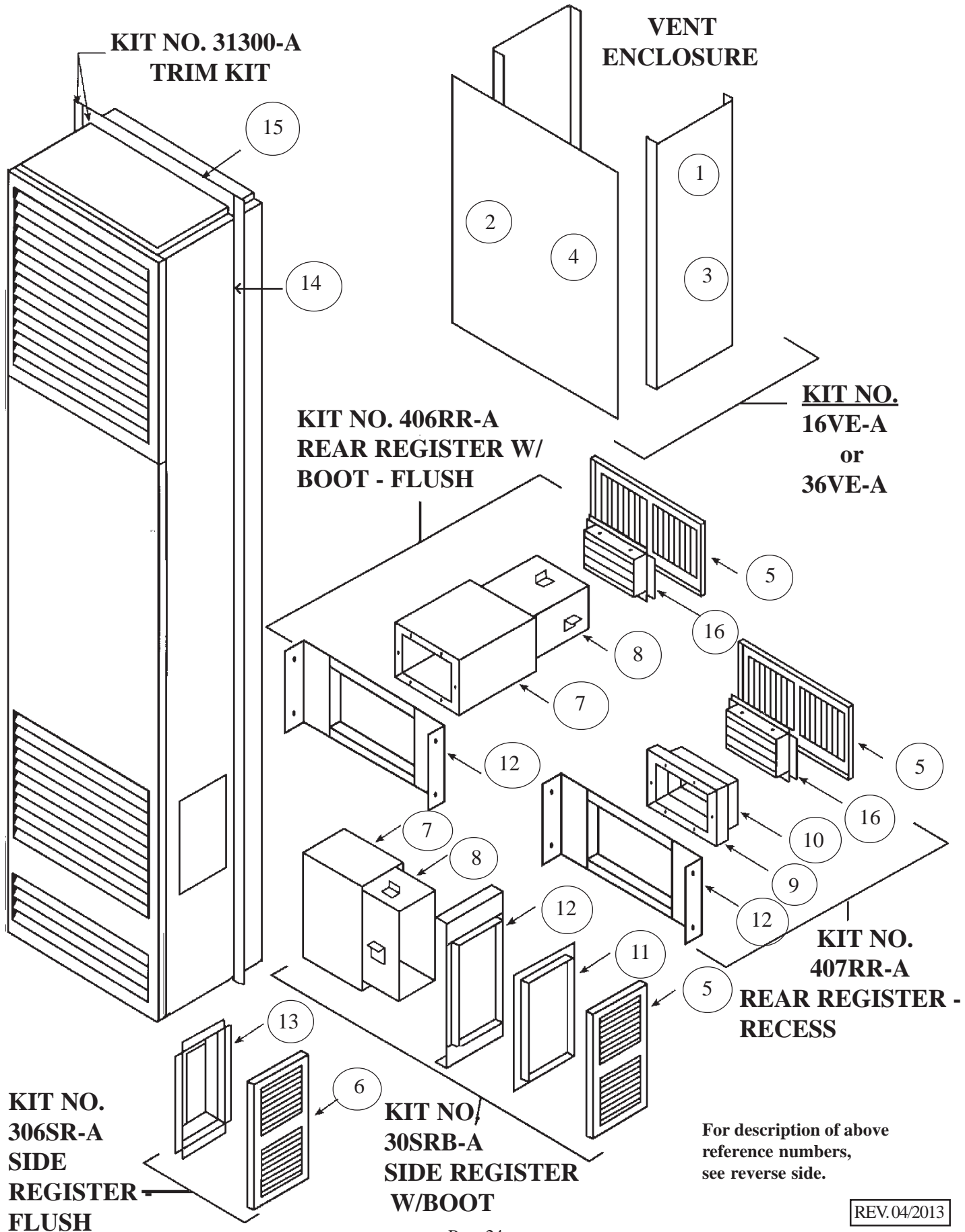
ATTN: Contractors and Service Technicians, we only sell parts through our wholesalers, but the prices listed are for your convenience. For prompt parts service, contact the wholesaler from which you purchased your Cozy heater. **NOTE:** Parts & schematic drawings on current models are shown at www.cozyheaters.com.

REV.01/2015

HOW TO PROPERLY ORDER PARTS: In addition to part description and part number, please give model number, serial number, and type of gas used. This information can be found on the rating plate that is attached to heater.

24 VOLT SYSTEM WITH LOW-B.T.U. I.D.D					
MODEL NUMBERS	NATURAL	CF407D-H		CF557D-H	
	L.P.	CF408D-H		CF558D-H	
PART DESCRIPTION	REF.	PART	LIST	PART	LIST
	NUMBER	NUMBER	PRICE	NUMBER	PRICE
Casing Side, Right	1	30325		30525	
Casing Side, Left	1a	30330		30530	
Center Back Assembly	1b	30364		30544	
Top Assembly	1c	30025		30025	
Upper Back Assembly	1d	30070		30070	
Lower Back Assembly	1e	30219		30219	
Bottom	1f	30246		30246	
Liner Assembly	2	30370		30550	
Header Assembly Complete	3	31399		31399	
Heat Exchanger Assembly	4	30378		30577	
Draft Diverter Assembly	5	30400		30400	
Fan Shroud Assembly	6	30200		30200	
Top Louver w/Insulation	7	30087		30087	
Center Front Panel w/Insulation	8	30359		30534	
Bottom Louver Assembly w/Insulation	9	30100		30100	
Upper Front Shield	10	30250		30250	
Switch Box	11	30450		30450	
Switch Box Cover	12	30253		30253	
Lower Front Shield	13	30256		30256	
Motor Mounting Bracket	14	*30079		*30079	
Junction Box Cover	15	30033		30033	
Burner	16	72107		72107	
Wiring Harness	17	78251		78257	
Valve, Nat. - I.I.D. VR8204H-1006 w/78089 Disappearing Bushing	19	78092		78092	
Valve, L.P. - I.I.D. VR8204H-1006 (Conv.) w/78089 Dis. Bushing	20	78093		78093	
Disappearing Bushing 1/2 x 3/8	--	78089		78089	
Manifold	21	78006		78006	
Orifice, Natural	22	72147		78161	
Orifice, L.P.	23	72149		78168	
Fan Motor	24	78111		78111	
Fan Blade	25	78101		78101	
Rubber Grommet (Requires 4)	26	**78010		**78010	
Limit Switch 60T11-L180	27	78065		78065	
Fan Switch 60T12-F120	28	78067		78067	
Speed Switch F160-30	29	78066		78066	
Auxiliary Limit Switch 60TG15 350 Deg., Lower	30	78086		78086	
Thermostat 24 Volt	31	78355		78355	
Transformer	32	78069		78069	
Flue Pipe Adapter	32b	40061		40061	
Plug Bracket	32c	30047		30047	
Casing Mounting Brackets	32d	*30260		*30260	
Flue Pipe Gasket - 4x8-7/16"	33	78050		78050	
Draft Diverter Gasket - 7x8"	34	78051		78051	
Casing Top Gasket - 8-1/2x4-1/2"	34b	78155		78155	
Element Support Gasket - 9-1/2x14-1/4"	35	78052		78052	
Cozy Handle	37	84003		84003	
Power Cord	38	78213		78213	
Snap-in Outlet	39	78058		78058	
Thermostat Wire	41	74518		74518	
Ignition Control Box S8600B	46	78097		78097	
Pilot Assy., Electronic w/Flame Ignitor, NAT.	47 & 49	78098		78098	
Pilot Assy., Electronic w/Flame Ignitor, L.P.	48 & 49	78099		78099	
Blocked Flue Switch	50	78107		78109	
Blocked Flue Switch Wire	51	78230		78230	
Terminal Board	52	78300		78300	
Pilot Tubing w/Fitting - 16"	--	78452		78452	
Burner Pan Assembly	53	30286		30286	
Valve Support Bracket Assembly	--	30290		30290	
Pilot Mounting Bracket, IID	57	30299		30299	
Burner Mounting Plate	58	30296		30296	
Lighting Instructions "CF"	--	91261		91261	

ATTN: Contractors and Service Technicians, we only sell parts through our wholesalers, but the prices listed above are for your convenience. For prompt parts service, contact the wholesaler from which you purchased your Cozy heater.
NOTE: Parts & schematic drawings on current models are shown at www.cozyheaters.com.



For description of above reference numbers, see reverse side.

REV.04/2013

PART DESCRIPTION	REF. NO.	PART NO.	LIST PRICE
16" Vent Enclosure Side	1	31360	
16" Vent Enclosure Front	2	31355	
24" Vent Enclosure Side	1	31367	
24" Vent Enclosure Front	2	31366	
36" Vent Enclosure Side	3	31385	
36" Vent Enclosure Front	4	31380	
Side / Rear Register	5	31630	
Side Register	6	31525	
Large Outer Boot	7	31580	
Large Inner Boot	8	31560	
Small Outer Boot	9	31720	
Small Inner Boot	10	31710	
Boot Trim	11	31615	
Plaster Ground	12	31595	
Side Boot	13	31510	
Cabinet Side Trim Angle	14	31310	
Cabinet Top Trim	15	31320	
Damper Assembly	16	31675	

REPLACEMENT WIRING - STANDING PILOT COUNTERFLOW

MODELS CF403D and CF404D

Black 17-1/2" Fork Term./with stripped end	Transformer (24 V.) to Thermostat	78200	
Black 32" Flag Terminal/Flag Terminal	Auxiliary Limit Switch - Valve	78216	
Black 6" Flag Terminal/Flag Terminal	Selector Switch - Fan Switch	78208	
Wiring Harness		78251	

REPLACEMENT WIRING - STANDING PILOT COUNTERFLOW

MODELS CF553D and CF554D

Black 17-1/2" Fork Term./with stripped end	Transformer (24 V.) to Thermostat	78200	
Black 32" Flag Terminal/Flag Terminal	Auxiliary Limit Switch - Valve	78216	
Black 6" Flag Terminal/Flag Terminal	Selector Switch - Fan Switch	78208	
Wiring Harness		78252	

REPLACEMENT WIRING - I.I.D. (INTERMITTENT IGNITION) COUNTERFLOW

MODELS CF407D and CF408D

Black 17-1/2" Fork Term./with stripped end	Transformer (24V.) to Thermostat	78200	
Black 32" Flag Terminal/Straight Terminal	Auxiliary limit to ignition control box	78216	
Black 6" Flag Terminal/Flag Terminal	Selector Swith - Fan Switch	78208	
Wiring Harness		78251	

REPLACEMENT WIRING - I.I.D. (INTERMITTENT IGNITION) COUNTERFLOW

MODELS CF557D and CF558D

Black 17-1/2" Fork Term./with stripped end	Transformer (24V.) to Thermostat	78200	
Black 38" Flag Terminal/Straight Terminal	Auxiliary limit to ignition control box	78258	
Black 6" Flag Terminal/Flag Terminal	Selector Swith - Fan Switch	78208	
Wiring Harness		78257	

ATTN: Contractors and Service Technicians, we only sell parts through our wholesalers, but the prices listed above are for your convenience. For prompt parts service, contact the wholesaler from which you purchased your Cozy heater. NOTE: Parts & schematic drawings on current models are shown at www.cozyheaters.com.